

XLED 4022RZ PR-8541

VOLTAGES:

100V~240V AC, 50/60Hz

POWER CONSUMPTION:

900W@220V

LIGHT SOURCE:

Type: OSRAM LEDS (RGBW 4 in 1), 22PCS

Color temperature: 2700~10000K

Rated lifespan: 50,000 hrs

CTO:

Linear controlled 2500-8000K.

DIMMER:

0-100% linear electronic dimmer

STROBE:

1-25 F.P.S

ZOOM:

Linearly zooming

CONTROL:

Single LED control

Preset memory

Sound control mode

5 channel modes: Standard 14 ch/Shapes 27 ch/Extended 29 ch/RGBW 80 ch/Full 103 ch.

HEAD MOVEMENT:

Pan 540° and Tilt 240°

Front lens: bi-directional and continuous rotating

BEAM ANGLE:

4.7°- 60°

HOUSING:

IP20

Shell color: black

WEIGHT:

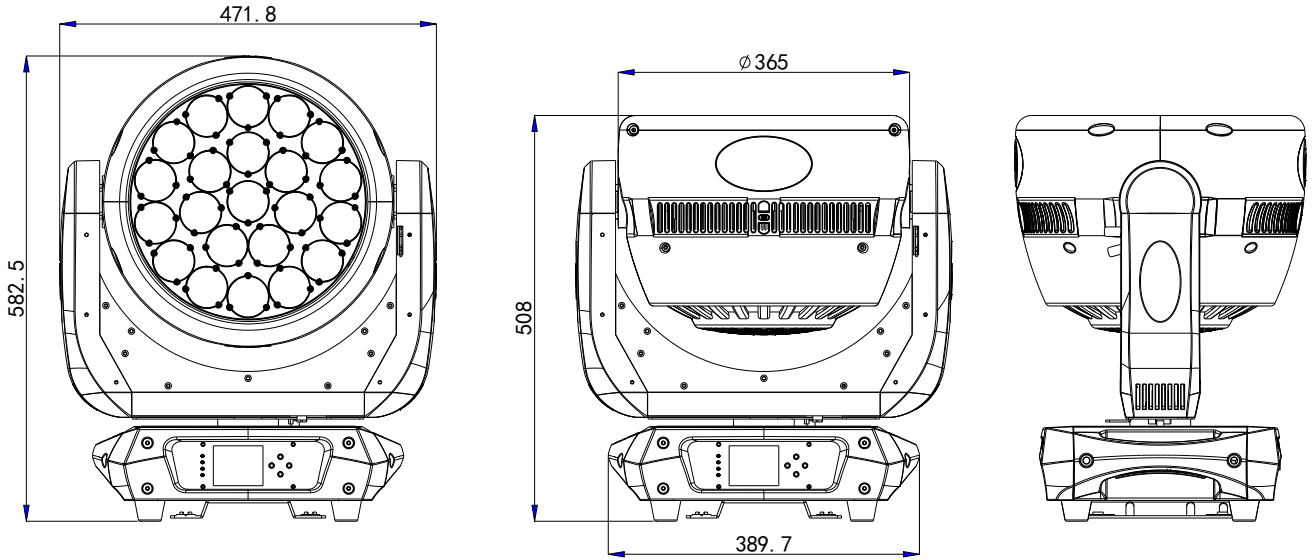
23.6kgs

AMBIENT TEMPERATURE:

-20°C~40°C

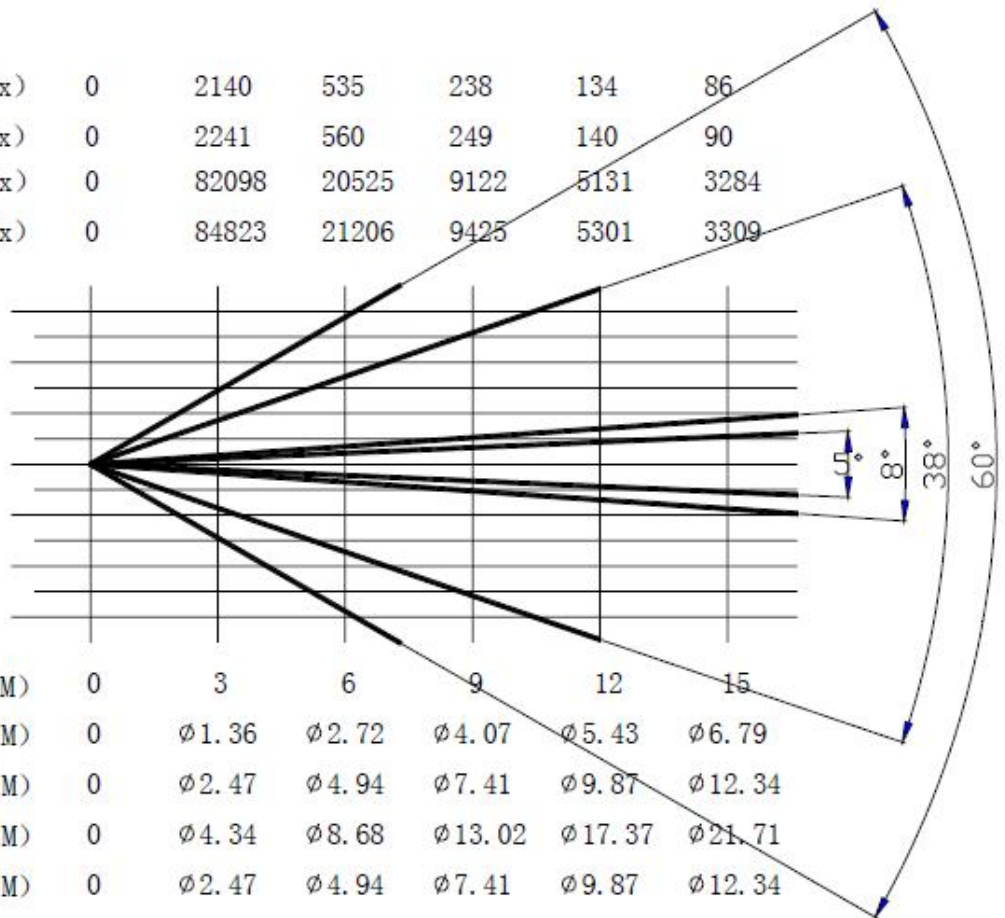
SIZES:

See below.



LIGHT OUTPUT:

60° LUX (1x)	0	2140	535	238	134	86
38° LUX (1x)	0	2241	560	249	140	90
8° LUX (1x)	0	82098	20525	9122	5131	3284
5° LUX (1x)	0	84823	21206	9425	5301	3309



DISTANCE (M)	0	3	6	9	12	15
5° DIAMETER (M)	0	$\phi 1.36$	$\phi 2.72$	$\phi 4.07$	$\phi 5.43$	$\phi 6.79$
8° DIAMETER (M)	0	$\phi 2.47$	$\phi 4.94$	$\phi 7.41$	$\phi 9.87$	$\phi 12.34$
38° DIAMETER (M)	0	$\phi 4.34$	$\phi 8.68$	$\phi 13.02$	$\phi 17.37$	$\phi 21.71$
60° DIAMETER (M)	0	$\phi 2.47$	$\phi 4.94$	$\phi 7.41$	$\phi 9.87$	$\phi 12.34$