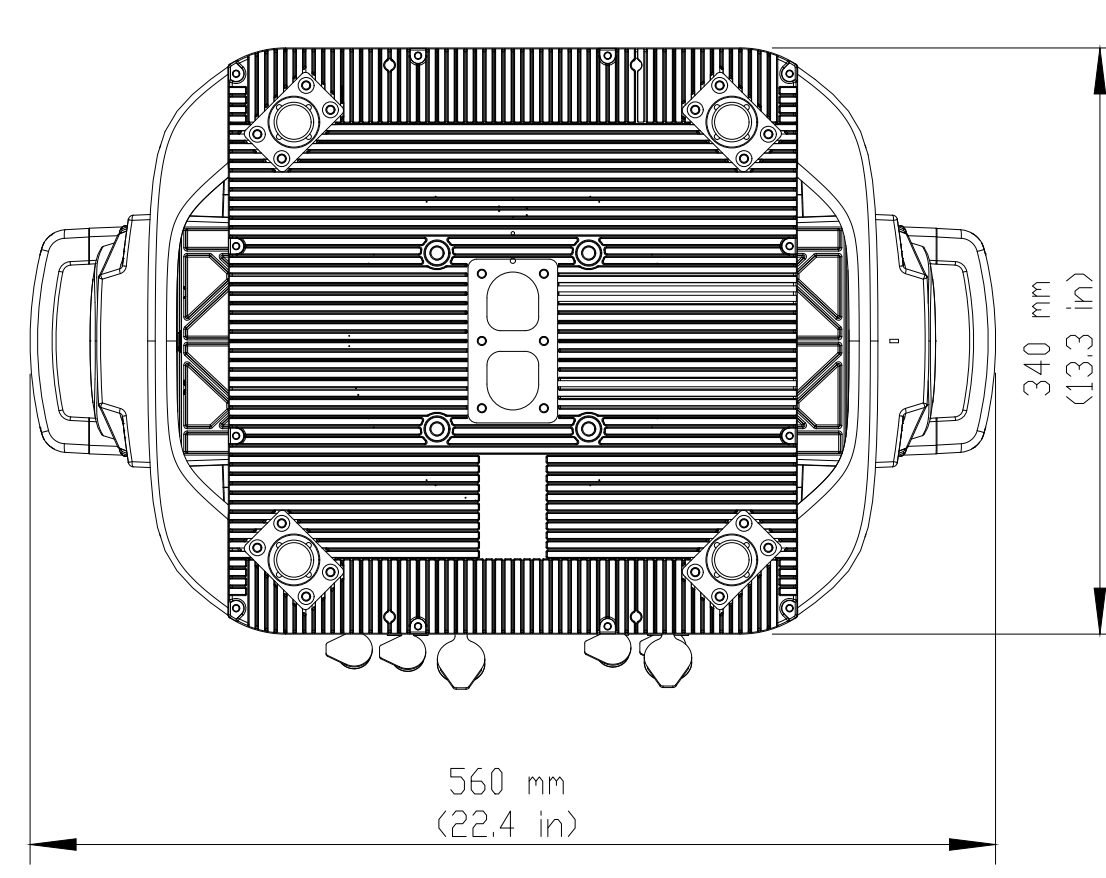
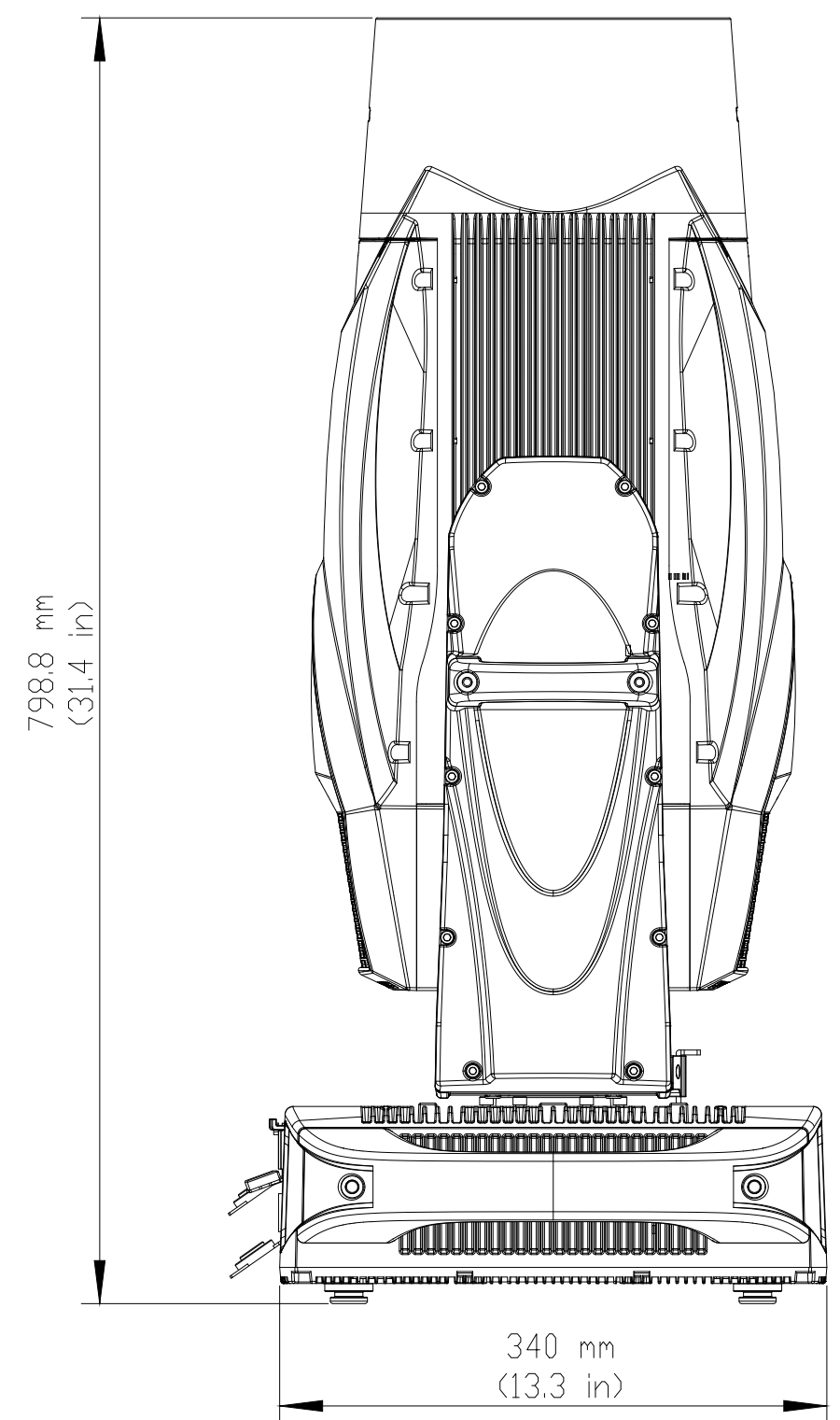
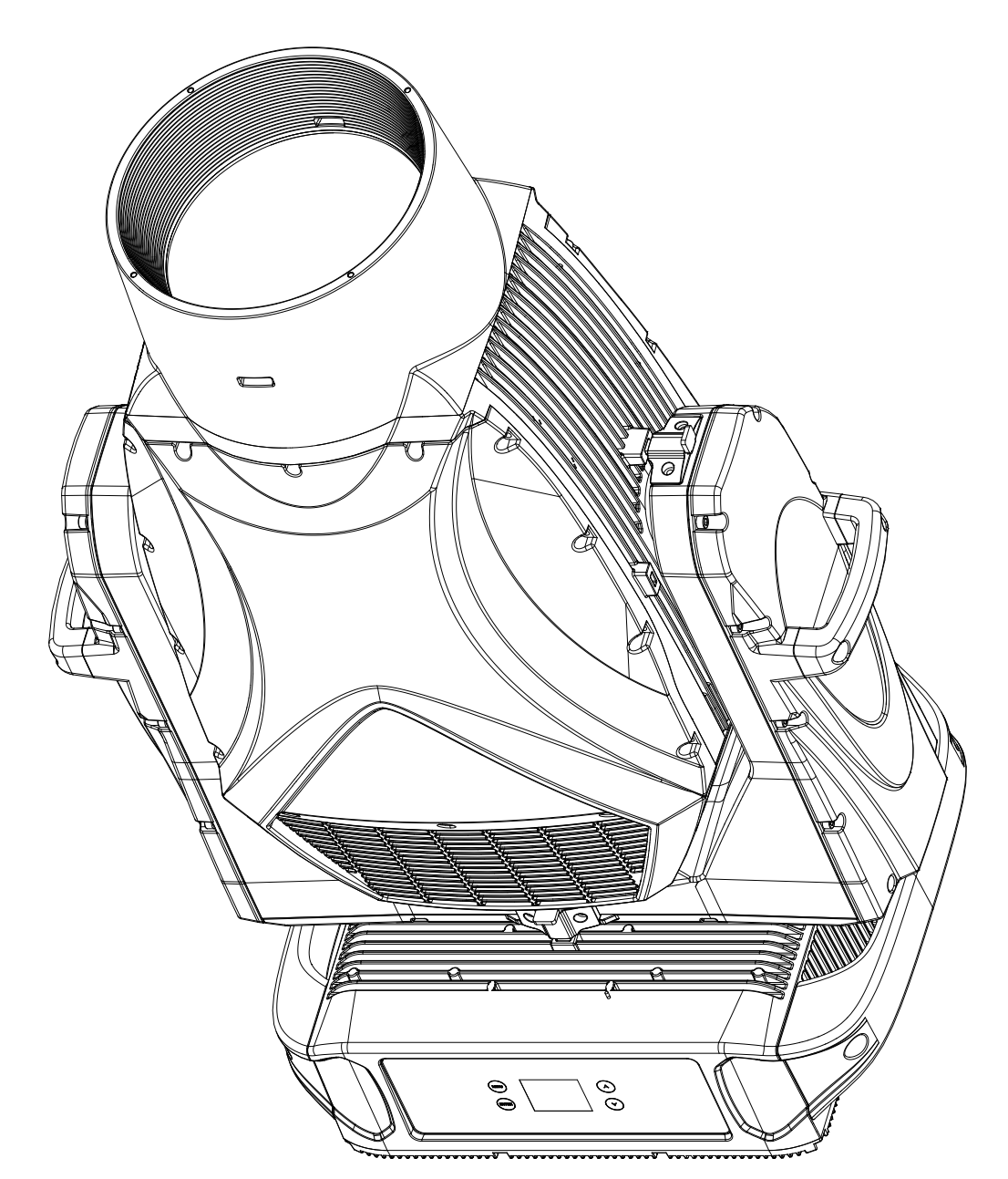
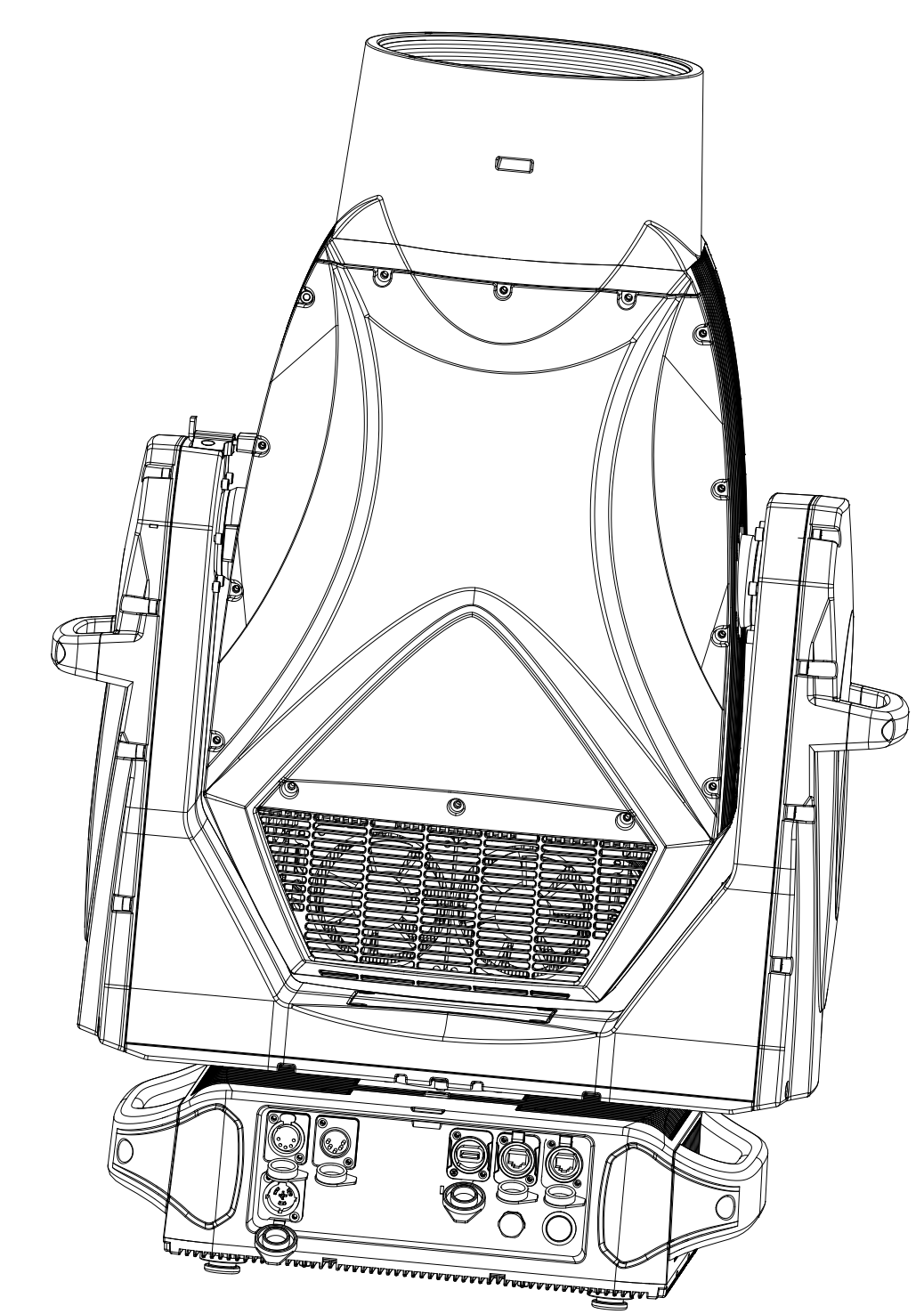
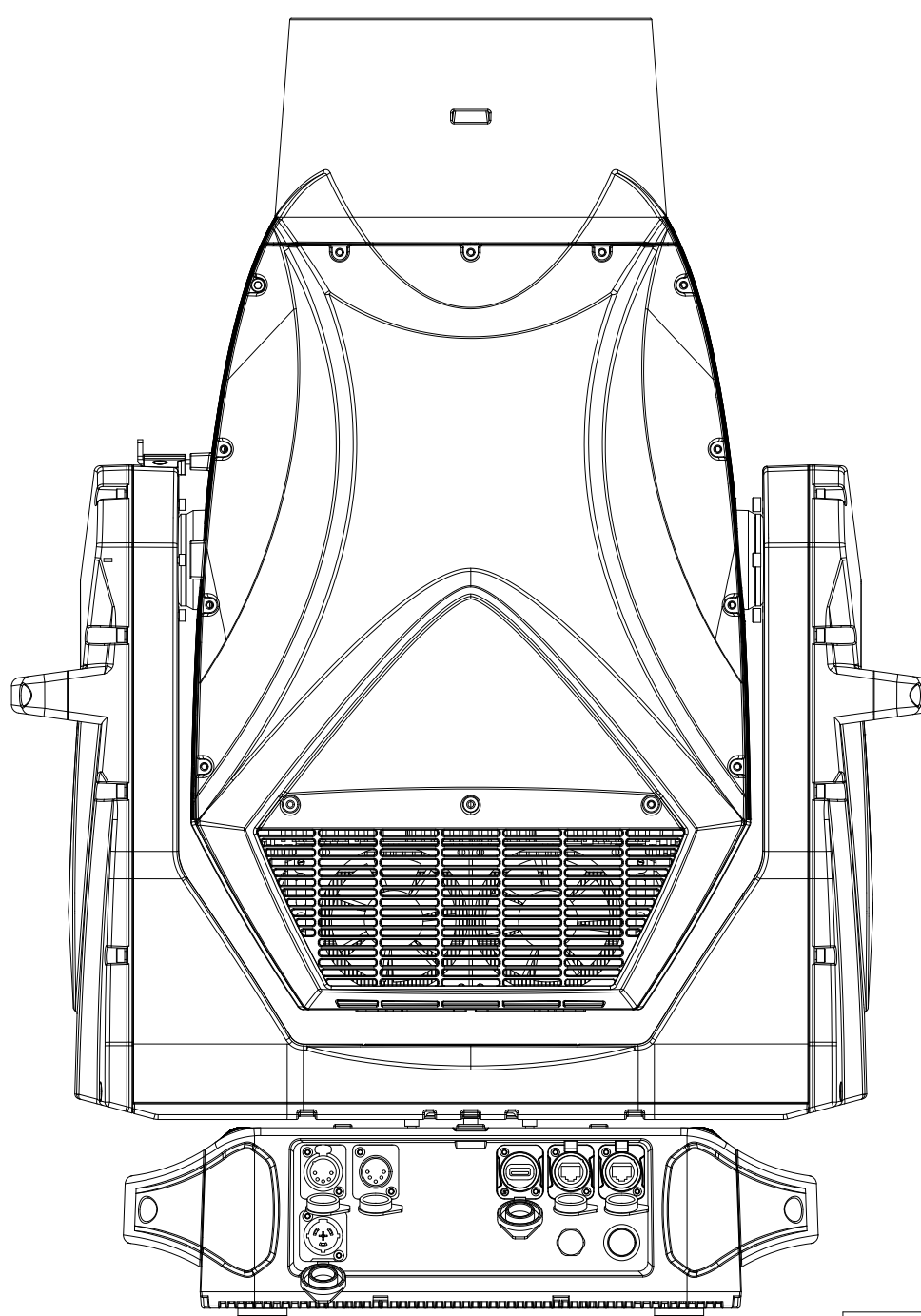
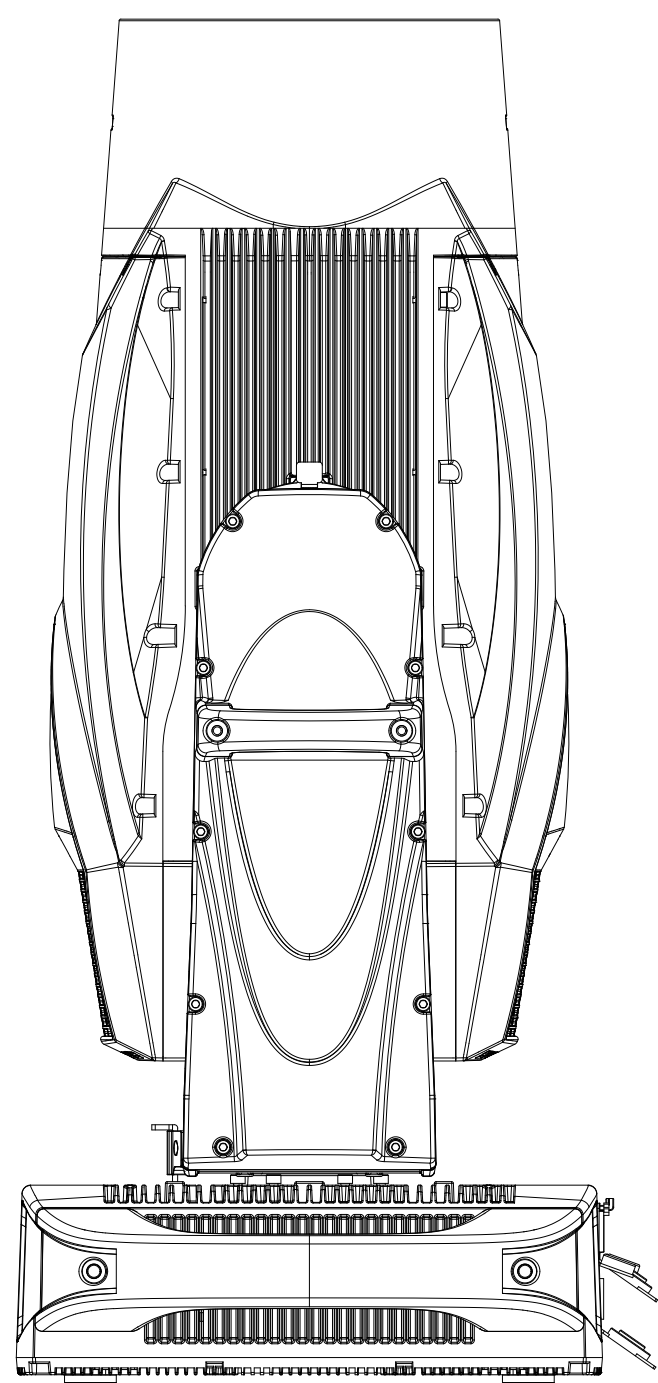
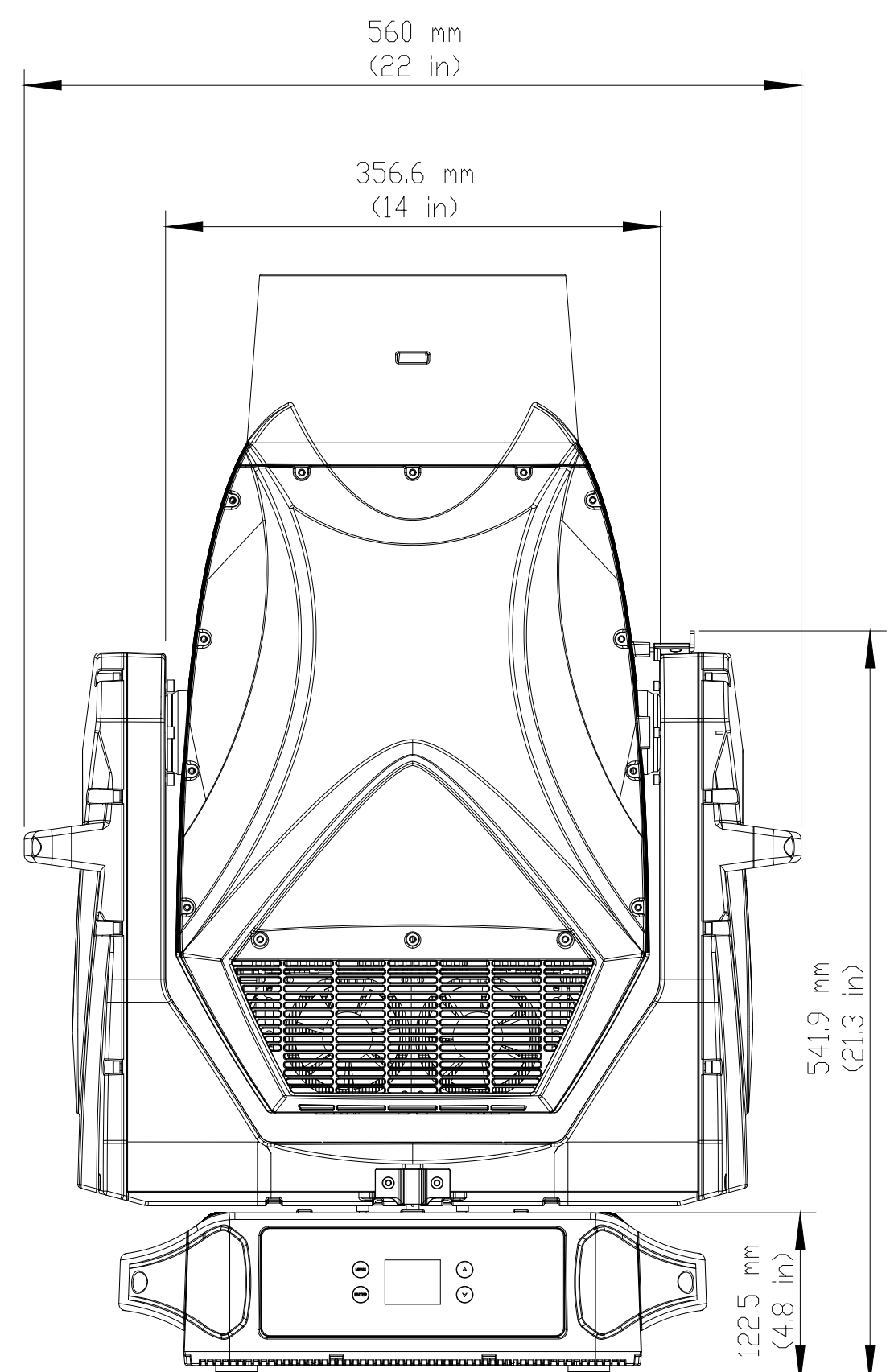
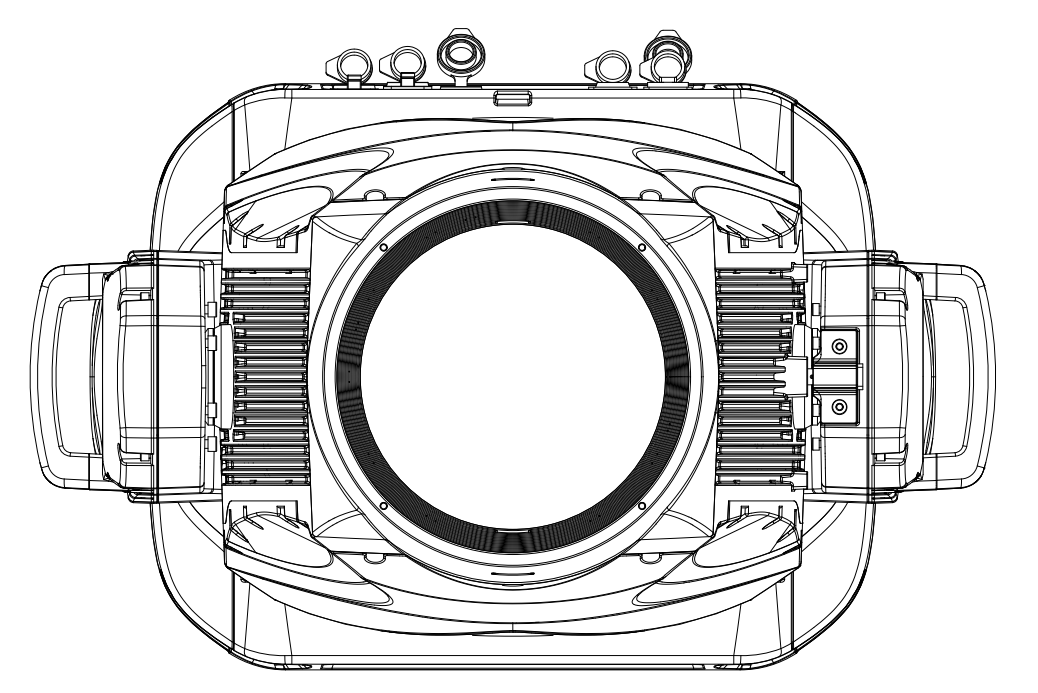


REVISIONS				
REV	EC #	DESCRIPTION	DATE	APPD
00			06/14/2022	SR
01		Change Title Block to Vari-Lite format	07/01/2022	SR



74817-001	VL3600, PROFILE IP, 1000W MONOCHROMATIC LIGHT ENGINE, C/W 2 X VL RAILS AND POWER INPUT CONNECTOR, BLACK
74817-101	VL3600, PROFILE IP, 1000W MONOCHROMATIC LIGHT ENGINE, C/W 2 X VL RAILS AND POWER INPUT CONNECTOR, WHITE
74817-011	VL3600, PROFILE IP, 1000W MONOCHROMATIC LIGHT ENGINE, C/W 2 X VL RAILS AND INSTALLATION, POWER AND DMX 1M TAILS, BLACK
74817-111	VL3600, PROFILE IP, 1000W MONOCHROMATIC LIGHT ENGINE, C/W 2 X VL RAILS AND INSTALLATION, POWER AND DMX 1M TAILS, WHITE

NEXT ASSY		TOLERANCE	N/A		
NOTICE: INFORMATION AND DESIGN DISCLOSED ON THIS DOCUMENT ARE CONSIDERED PROPRIETARY AND SHALL NOT BE REPRODUCED OR DISCLOSED WITHOUT WRITTEN CONSENT. Vari-Lite, LLC. ALL RIGHTS RESERVED.		MATERIAL	DSN BY	Vari-Lite, LLC. 10911 PETAL ST., DALLAS, TX 75238	
		FINISH	DSN BY MATERIALS, PARTS AND PRODUCTS MUST COMPLY WITH THE ENVIRONMENTAL REQUIREMENTS OF P/N 02-96-00-0001	<b>VL3600, PROFILE IP, 1000W MONOCHROMATIC LIGHT ENGINE</b>	
			ALL DIMENSIONS ARE IN INCHES UNLESS NOTED OTHERWISE. REMOVE ALL BURRS AND SHARP EDGES.	SIZE <b>B</b>	REVISION 01
				DRAWING NUMBER	SCALE: N.T.S.
				AUTOCAD LT 2021	SHEET 1 OF 1