

EXPOLITE

ELW MC 7

MKII



User Manual

Art.No.:led21130

Index:

| | |
|-----------------------------|-----------|
| 1-Introduction..... | 1 |
| 1.1 Specifikations | 1 |
| 1.2 Safety information..... | 3 |
| 2-Installation..... | 3 |
| 2.1 Mounting..... | 3 |
| 2.2 Replace fuse | 4 |
| 2.3 Connection | 4 |
| 3-Menu | 5 |
| 3.1 Controlpanel..... | 5 |
| 3.2 Menu..... | 6 |
| 3.3 Address..... | 8 |
| 3.4 Person..... | 8 |
| 3.5 Run Mode..... | 8 |
| 3.6 Option..... | 9 |
| 3.7 Edit | 13 |
| 3.8 Manual | 13 |
| 3.9 Info | 13 |
| 3.10 Service..... | 13 |
| 4-DMX Chart | 14 |
| 4.1 HSIC | 14 |
| 4.2 Person1..... | 15 |
| 4.3 Person2..... | 19 |
| 4.4 Pixel | 22 |
| 4.5 CMY | 24 |

1 Introduction

1.1 Specifications

Art.No.:

led21130

Delivery

ExpoLite ELW MC 7 MKII

Powercord

General information for ExpoLite units

Voltage

100-240VAC, 50/60Hz

300 Watt

Fuse T 6,3A

Optional accessories

Safety 60cm/5mm

Art.No.: sic62114

Connectors

Seetronic Power IP in/out

XLR 3-Pin in/out

RJ45 in/out

PowerCon True1 5m Extention

Art.No.: kab44905

PowerCon True1 3m Extention

Art.No.: kab44900

Control

DMX 512

ArtNet

RDM

sACN

Web-Server

W-DMX

ExpoTruss Quick Selflock Clamp, black

Art.No.: jam62054

Optic

Osram LED 7x 40W RGBW

Beamangle 4,5°- 36°

2.700K- 8.000K

Specials

Single Pixel control

Macros

Motor Zoom

Temperature- or DMX- controlled fan

Environment

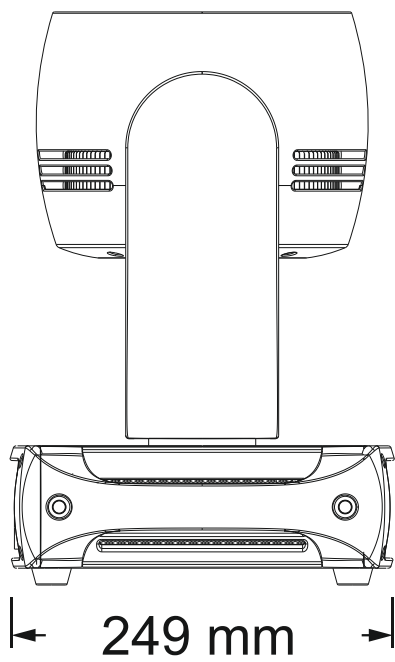
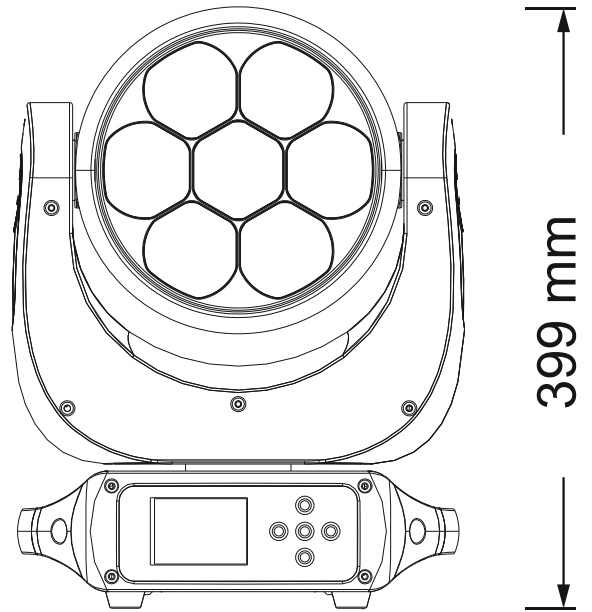
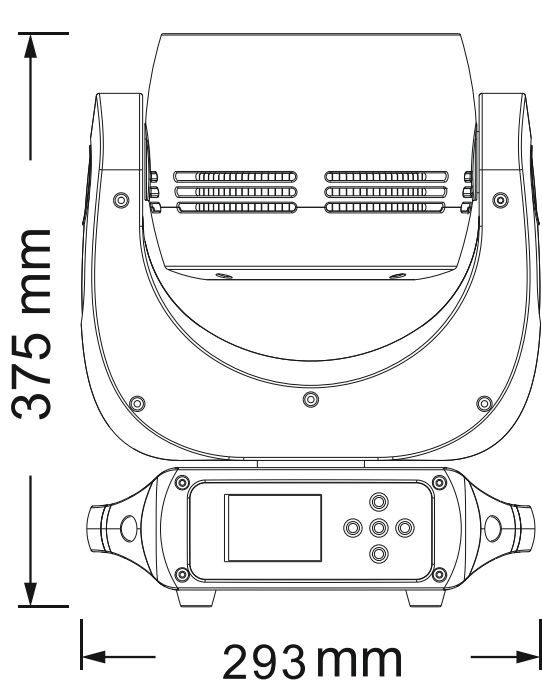
0°C- 45°C

IP20

Dimensions

293x249x399mm (LxWxH)

11,0kg



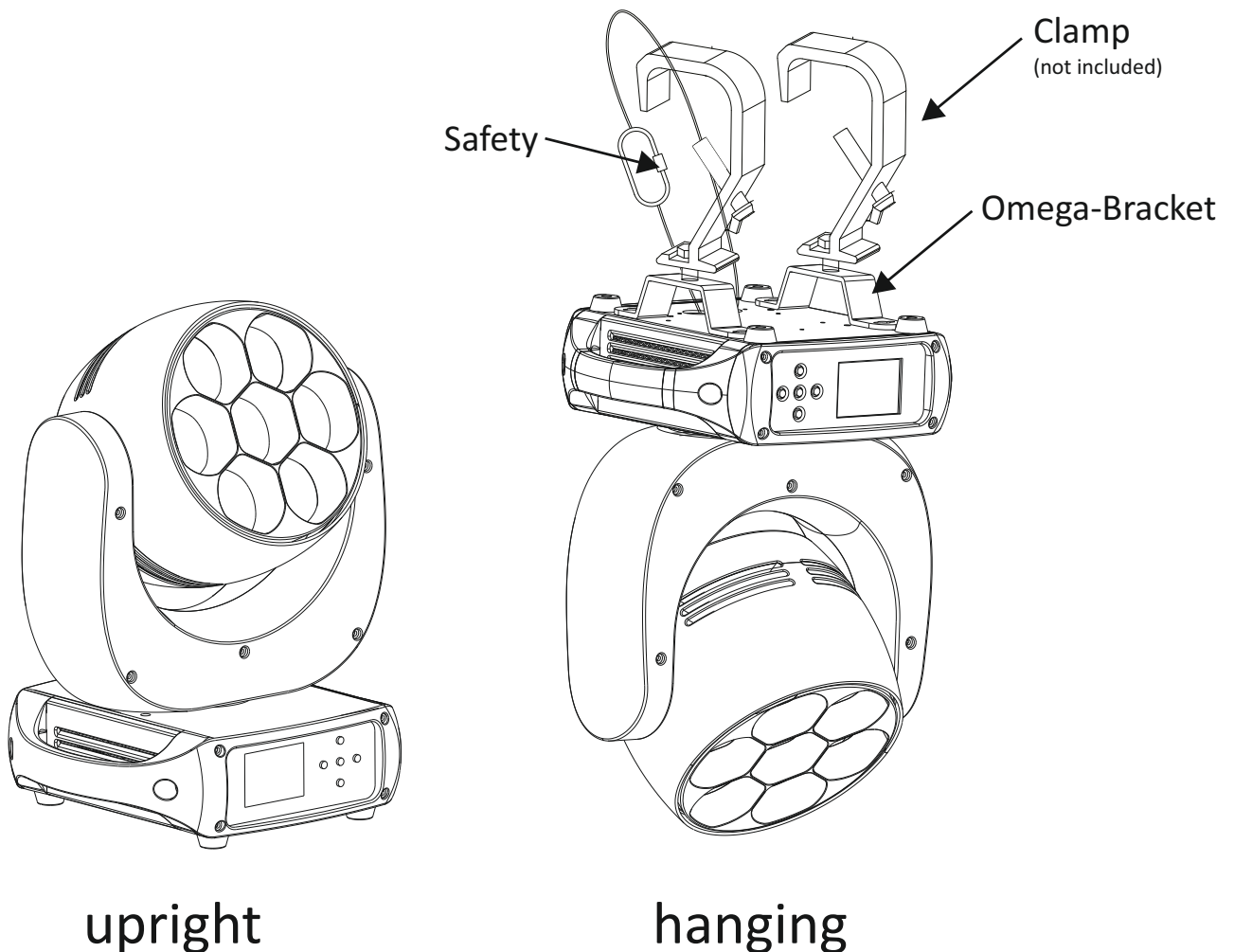
1.2 Safety information

For safety information please read the document „General information for ExpoLite units“.

2 Installation

2.1 Mounting

This unit can be mounted in any position.
Use the included Omega-Brackets for hanging installation.
All common clamps can be mounted to it.
This unit must be secured from falling down according to the current regulations.

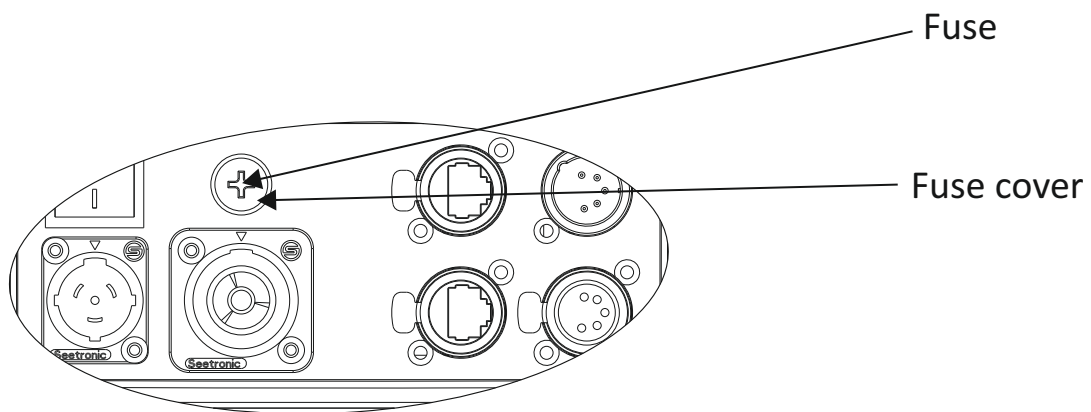


2.2 Replace fuse

Attention! Electrical maintenance must be done by qualified person.

To replace the fuse (T 6,3A) remove the fuse cover. Use a matching screwdriver. Pull out the fuse and replace it.

Put the fuse cover back on.



2.3 Connection

At 240V mains: maximum 6 units daisy-chain

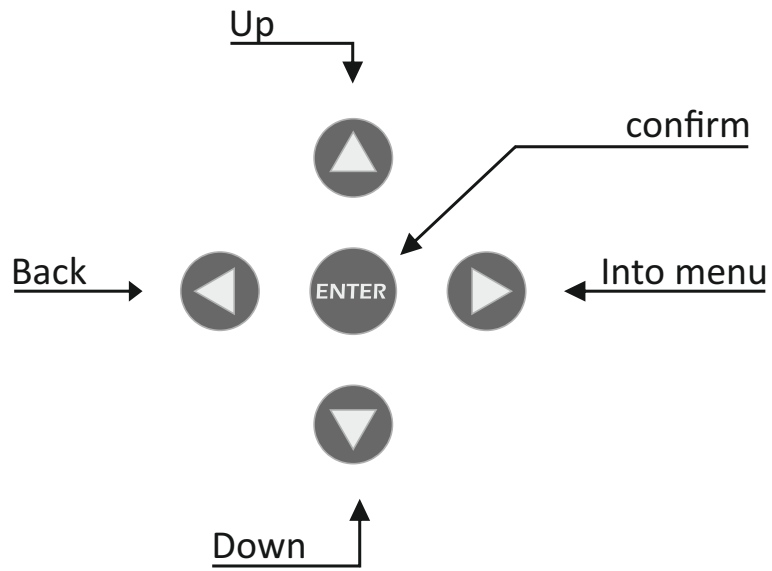
At 100V mains: maximum 3 units daisy-chain

Attention:

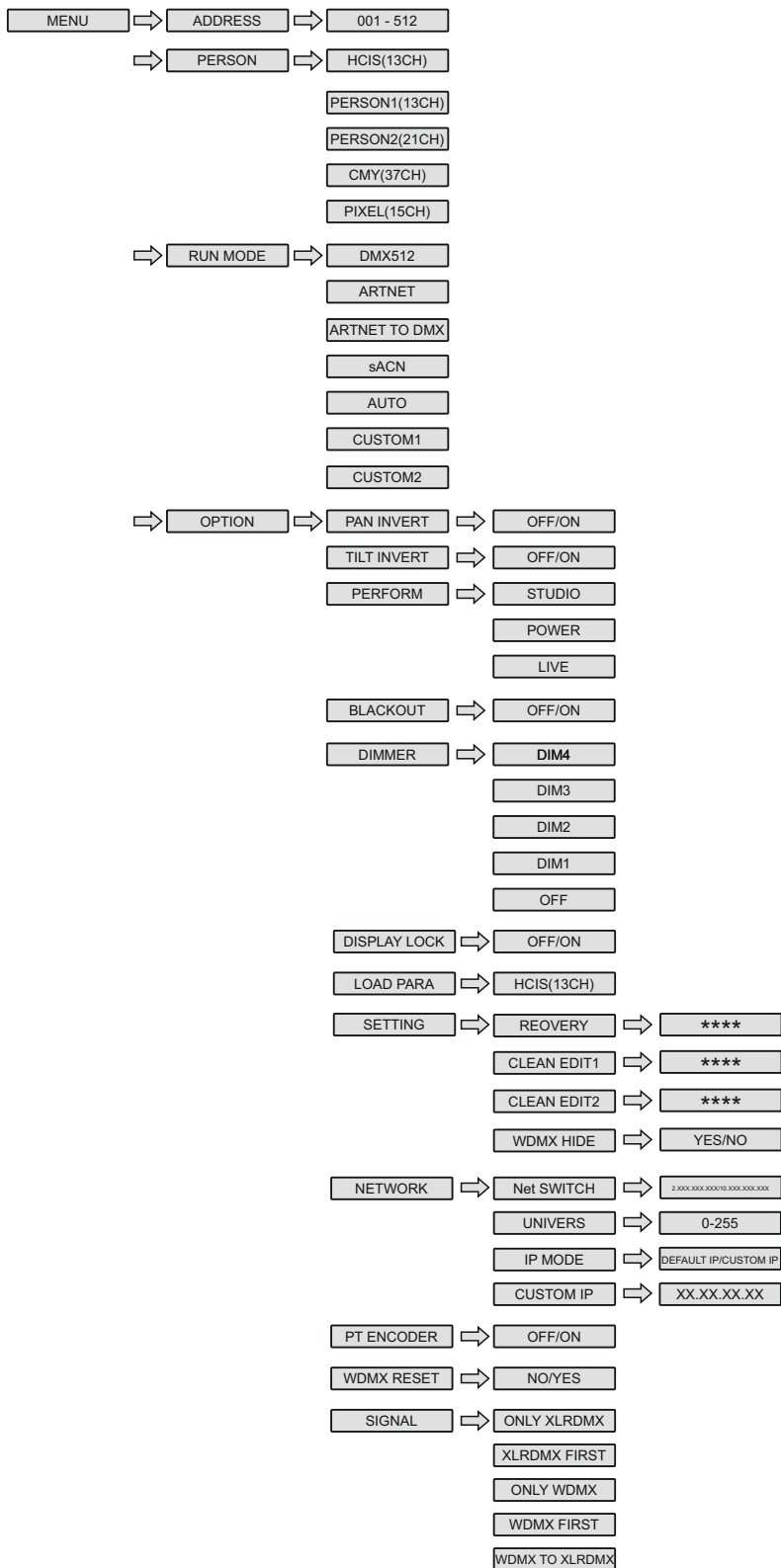
If the signal cable is longer than 60m, a signal booster is required.

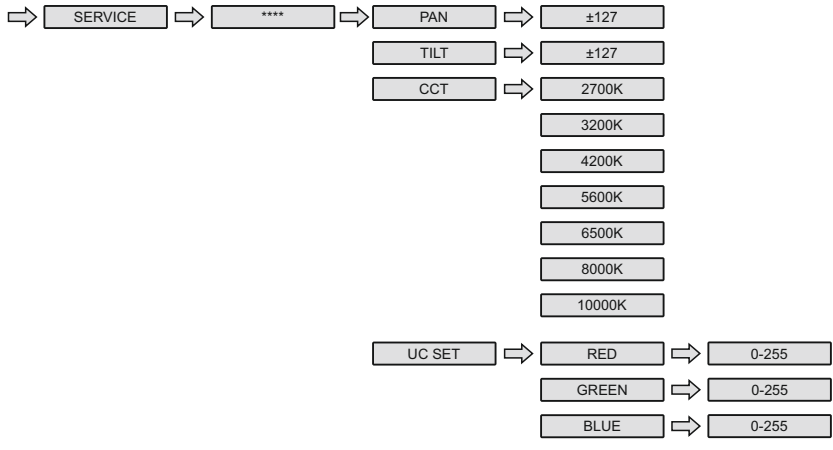
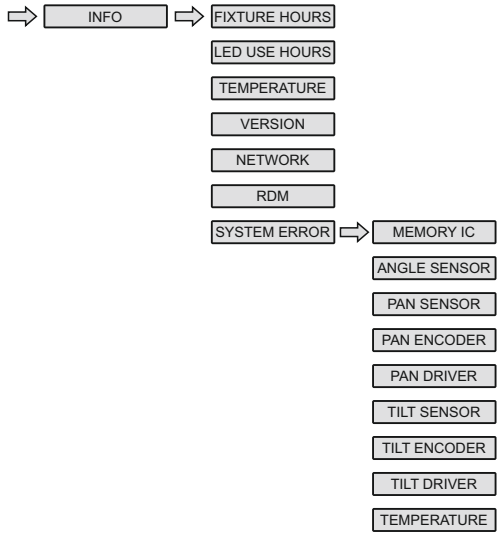
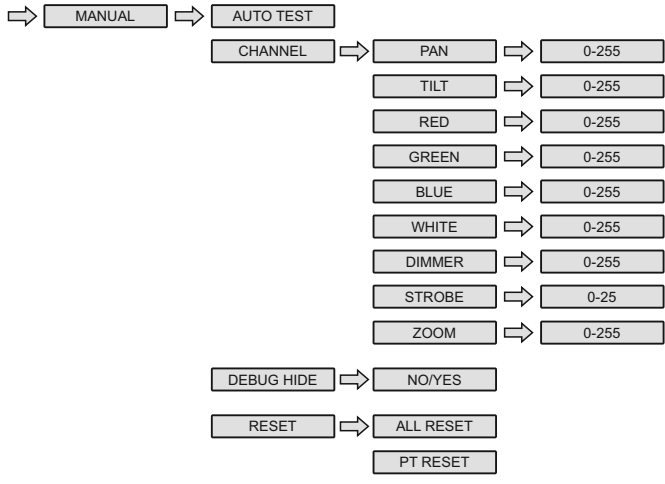
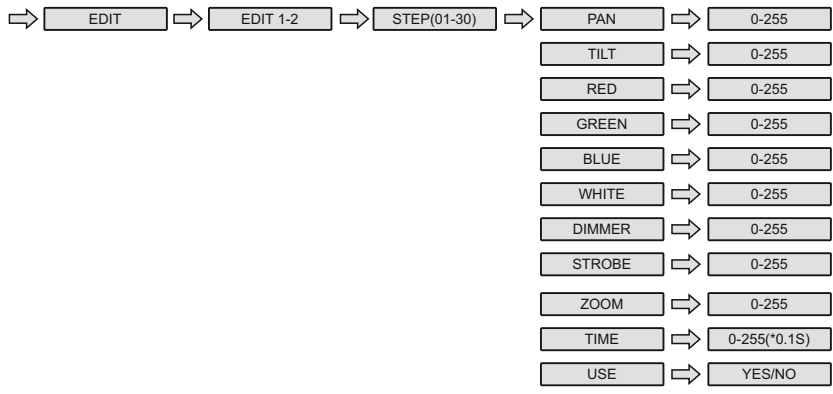
3 Menu

3.1 Controlpanel



3.1 Menu



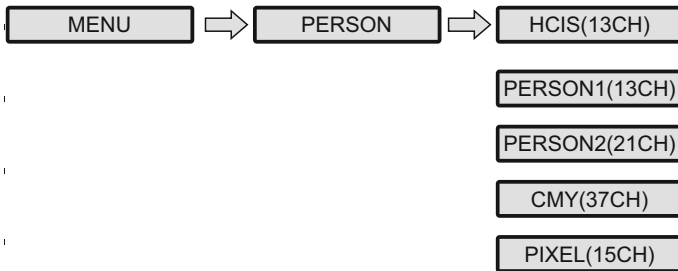


3.3 Address



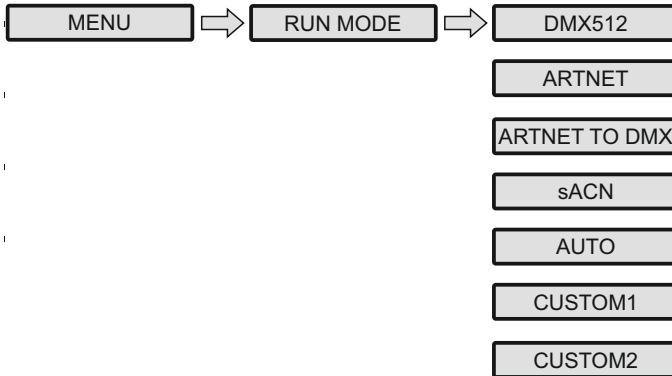
In this menu the DMX-Address can be set.

3.4 Person



Different DMX- profilef can be selected here.

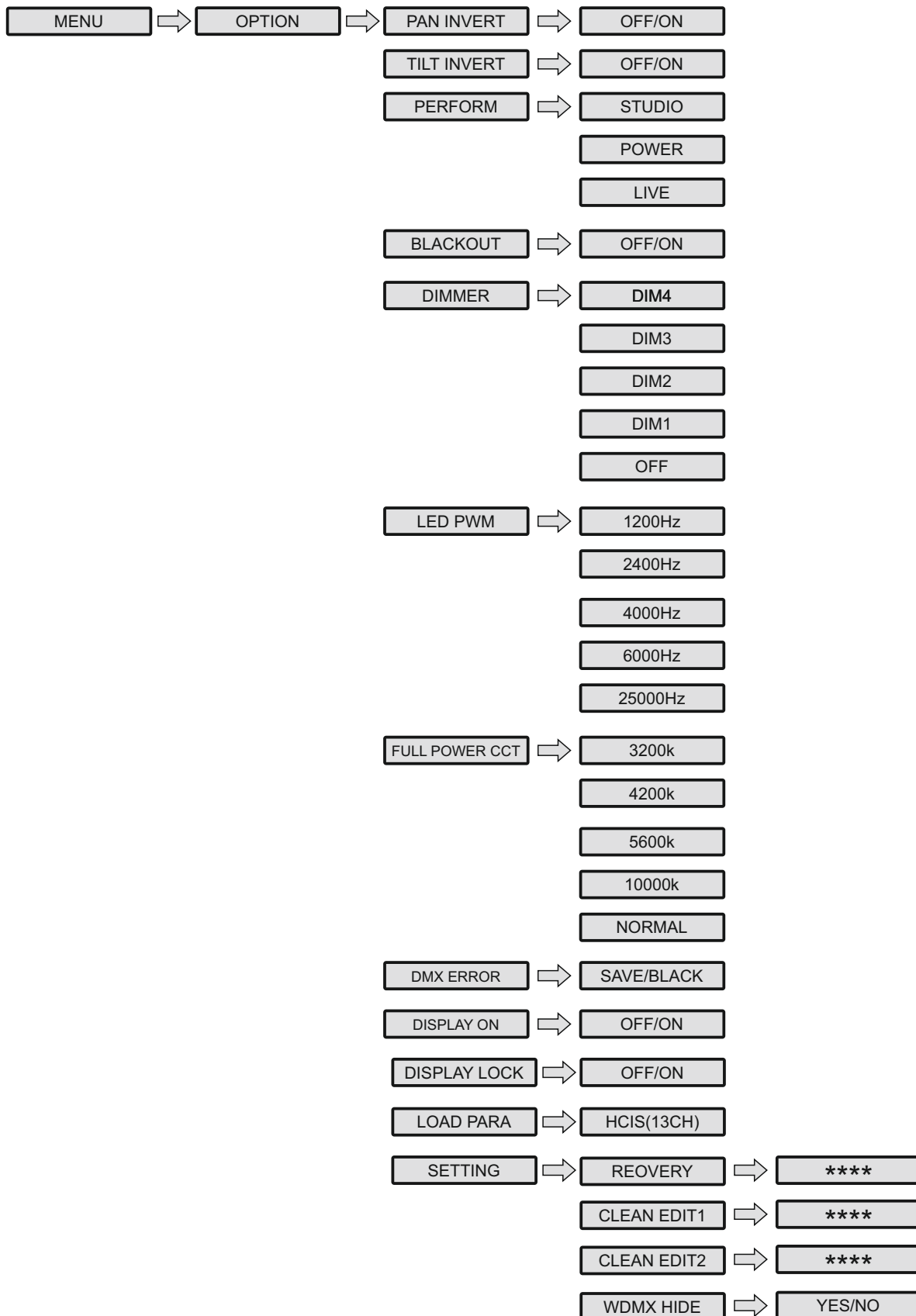
3.5 Run Mode



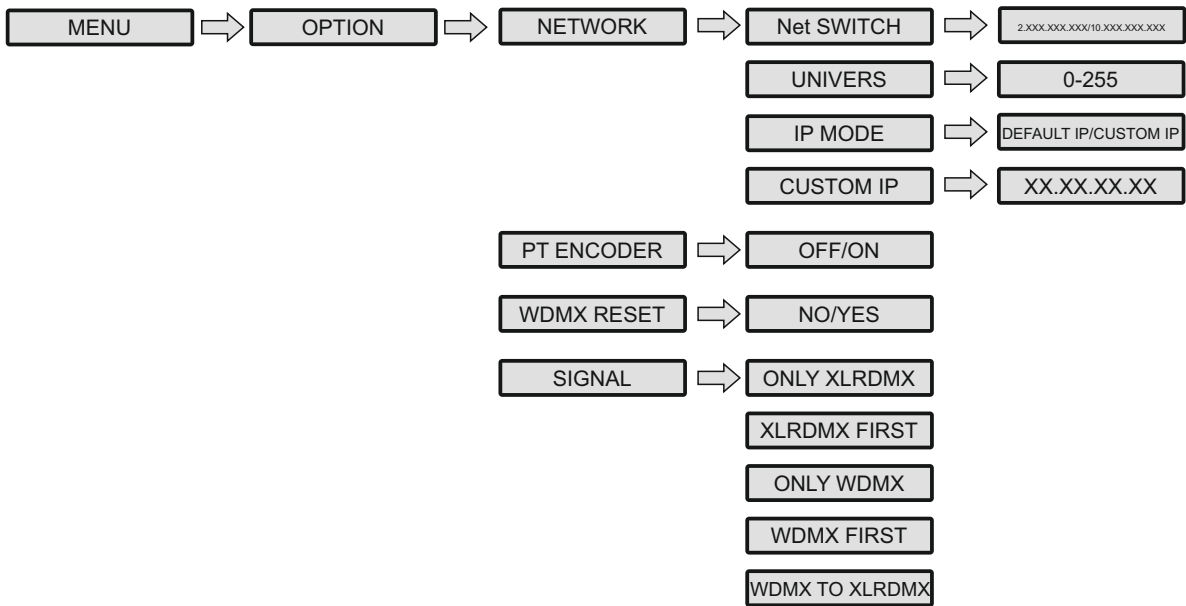
Different control protocols can be selected here.

„CUSTOM 1" and „CUSTOM 2" triggers the custom auto programm from the „EDIT“ menu.

3.6 Option



3.6 Option



PAN INVERT

Pan-invert can be activated or deactivated.

TILT INVERT

Tilt-invert can be activated or deactivated.

PERFORM

The operation of the fan can be set.

STUDIO: Fan turns slower. Power may reduced.

Volume up to 45dB.

POWER: Fan turns on maximum. Full power on LEDs.

Volume up to 45dB.

LIVE: Intelligent control, Volume up to 55dB.

BLACKOUT

Blackout while moving can be activated or deactivated.

If the value on Pan- or Tilt-channel changes, the unit sets the dimmer to 0%.

After moving the unit sets the dimmer back to 100%.

DIMMER

Various dimmer curves can be set from slow to fast.

„DIM4" is the slowest curve (Halogensimulation), „DIM1" the fastest.

„OFF" deactivats the curves. Dimmer acts 1:1.

LED PWM

Refreshrates from 1200Hz to 25000Hz can be set.

FULL POWER CCT

The color temperature can be defined here.

Adjustable from 3200K - 10000K. 100% RGBW are set as default (Normal).

DMX ERROR

The reaction of losig signal can be set. Choose „SAVE“ to keep the last value or „BLACK“ for Blackout.

Display On

The display can be set as always on or off.

Display Lock

The display lock can be activated or deactivated.
Enter the password („↑↓↑↓“) to enter the menu.

Load Para

Upload data from master unit can be started here.

Setting

Various resets can be done here.
RECOVERY: Factory reset.
CLEAN EDIT 1,2: Reset custom auto programs.
WDMX HIDE: Hide WDMX signal.

Network

Here all network parameter can be set.

PT Encoder

The pan and tilt encoder can be activated or deactivated.

WDMX Reset

WDMX settings can be done here.
„YES“ clears the current pairing and starts new pairing.

Signal

Settings of the signal can be done.

3.7 Edit

Custom auto programs can be edit. Two programs with 30 Steps each are available. Select the function and change the value. Sub menu „TIME“ changes the time for each step (0-255 *0,1s). „USE“ activates or deactivates the step in the program.

3.8 Manual

Values for manual stand alone can be set.





Go to „CHANNEL“ and set the values of the functions.

„AUTO TEST“ starts an internal test sequence.

3.9 Info

This menu shows different fixture informations.

3.10 Service

In this, password-protected, menu (Password „“) various calibration settings can be set. „CCT“ correcte the color when RGBW is at 100%.

4 DMX chart

4.1 HSIC

| DMX channel | Value | Function |
|-------------|---|--|
| 1 | 0 - 255 | PAN |
| 2 | 0 - 255 | PAN FINE |
| 3 | 0 - 255 | TILT |
| 4 | 0 - 255 | TILT FINE |
| 5 | 0 - 255 | PT SPEED |
| 6 | 0 - 255 | INTENSITY |
| 7 | 0 - 255 | HUE |
| 8 | 0 - 255 | HUE FINE |
| 9 | 0 - 255 | SATURATION |
| 10 | 000 - 010 011 - 050 051 - 090 091 - 130 131 - 170 171 - 210 211 - 255 | CTC NO FUNCTION 2700K 3200K 4200K 5600K 6500K 8000K |
| 11 | 000 - 009 010 - 099 100 - 109 110 - 179 180 - 189 190 - 255 | STROBE NO FUNCTION STROBE SLOW TO FAST NO FUNCTION THUNDER STROBE NO FUNCTION RANDOM STROBE |
| 12 | 000 - 255 | ZOOM |

4.1 HSIC

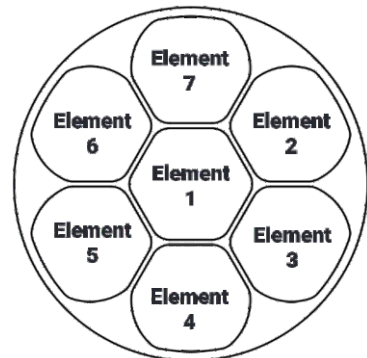
| DMX channel | Value | Function |
|-------------|-----------|----------------------------|
| 13 | | CONTROL |
| | 000 - 009 | NO FUNCTION |
| | 010 - 019 | PAN/TILT BLACK ACTIVATED |
| | 020 - 029 | PAN/TILT BLACK DEACTIVATED |
| | 030 - 039 | PAN INVERT |
| | 040 - 049 | TILT INVERT |
| | 050 - 059 | PAN/TILT INVERT OFF |
| | 060 - 079 | FAN LOW |
| | 080 - 089 | FAN HIGH |
| | 090 - 099 | FAN AUTO |
| | 100 - 109 | PAN/TILT RESET |
| | 110 - 119 | RESET ALL |
| | 120 - 129 | NO FUNCTION |
| | 130 - 139 | NO DIM |
| | 140 - 149 | DIM 1 |
| | 150 - 159 | DIM 2 |
| | 160 - 169 | DIM 3 |
| | 170 - 179 | DIM 4 |
| | 180 - 255 | NO FUNCTION |

4.2 PERSON 1

| DMX channel | Value | Function |
|-------------|-----------|---------------|
| 1 | 000 - 255 | PAN |
| 2 | 000 - 255 | TILT |
| 3 | 000 - 255 | RED |
| 4 | 000 - 255 | GREEN |
| 5 | 000 - 255 | BLUE |
| 6 | 000 - 255 | WHITE |
| 7 | 000 - 255 | DIMMER |

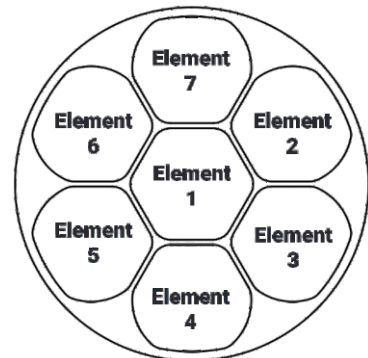
4.2 Person1

| DMX channel | Value | Function |
|-------------|-----------|---------------------------------------|
| 8 | 000 - 009 | MACROS NO FUNCTION |
| | 010 - 029 | RED 100% / GREEN UP |
| | 030 - 049 | RED DOWN / GREEN 100% |
| | 050 - 069 | GREEN 100% / BLUE UP |
| | 070 - 089 | GREEN DOWN / BLUE 100% |
| | 090 - 109 | RED UP / BLUE 100% |
| | 110 - 129 | RED 100% / BLUE DOWN |
| | 130 - 149 | RED 100% / GREEN UP / BLUE UP |
| | 150 - 169 | RED DOWN / GREEN DOWN / BLUE 100% |
| | 170 - 189 | ALL LED 100% |
| | 190 - 199 | 2700K |
| | 200 - 209 | 3200K |
| | 210 - 219 | 4200K |
| | 220 - 229 | 5600K |
| | 230 - 239 | 6500K |
| | 240 - 255 | 8000K |
| 9 | 000 - 005 | SINGLE ELEMENTS NO FUNCTION |
| | 006 - 010 | 1 |
| | 011 - 015 | 2 |
| | 016 - 020 | 3 |
| | 021 - 025 | 4 |
| | 26 - 30 | 5 |
| | 31 - 35 | 6 |
| | 36 - 40 | 7 |
| | 41 - 45 | 1,2 |
| | 46 - 50 | 1,3 |
| | 51 - 55 | 1,4 |
| | 56 - 60 | 1,5 |
| | 61 - 65 | 1,6 |
| | 66 - 70 | 1,7 |
| | 71 - 75 | 2,3 |
| | 76 - 80 | 4,5 |
| | 81 - 85 | 6,7 |
| | 86 - 90 | 1,2,3 |
| | 91 - 95 | 1,4,5 |
| | 96 - 100 | 1,6,7 |
| | 101 - 105 | 2,3,4 |
| | 106 - 110 | 5,6,7 |
| | 111 - 115 | 4,5,6 |
| | 116 - 120 | 7,2,3 |
| | 121 - 125 | 1,2,3,4 |
| | 126 - 130 | 1,5,6,7 |
| | 131 - 135 | 2,3,4,5,6,7 |



4.2 Person1

| DMX channel | Value | Function |
|-------------|-----------|--|
| 8 | 000 - 009 | MACROS NO FUNCTION |
| | 010 - 029 | RED 100% / GREEN UP |
| | 030 - 049 | RED DOWN / GREEN 100% |
| | 050 - 069 | GREEN 100% / BLUE UP |
| | 070 - 089 | GREEN DOWN / BLUE 100% |
| | 090 - 109 | RED UP / BLUE 100% |
| | 110 - 129 | RED 100% / BLUE DOWN |
| | 130 - 149 | RED 100% / GREEN UP / BLUE UP |
| | 150 - 169 | RED DOWN / GREEN DOWN / BLUE 100% |
| | 170 - 189 | ALL LED 100% |
| | 190 - 199 | 2700K |
| | 200 - 209 | 3200K |
| | 210 - 219 | 4200K |
| | 220 - 229 | 5600K |
| | 230 - 239 | 6500K |
| | 240 - 255 | 8000K |
| 9 | 136 - 140 | SINGLE ELEMENTS ALL ELEMENTS |
| | 141 - 145 | RUN 1 - 7 |
| | 146 - 150 | RUN 7 - 1 |
| | 151 - 155 | 2,3 > 4,5 > 6,7 |
| | 156 - 160 | 1,2,3 > 1,4,5 > 1,6,7 |
| | 161 - 165 | 1 > 2,3,4,5,6,7 |
| | 166 - 170 | 2,3,4,5,6,7 > 1 |
| | 171 - 175 | RED 2700K |
| | 176 - 180 | ORANGE 2700K |
| | 181 - 185 | YELLOW 2700K |
| | 186 - 190 | GREEN 2700K |
| | 191 - 195 | CYAN 2700K |
| | 196 - 200 | BLUE 2700K |
| | 201 - 205 | MAGENTA 2700K |
| | 206 - 210 | RED 2700K |
| | 211 - 215 | RED 5600K |
| | 216 - 220 | ORANGE 5600K |
| | 221 - 225 | YELLOW 5600K |
| | 226 - 230 | GREEN 5600K |
| | 231 - 235 | CYAN 5600K |
| | 236 - 240 | BLUE 5600K |
| | 241 - 245 | MAGENTA 5600K |
| | 246 - 255 | RED 5600K |



4.2 Person1

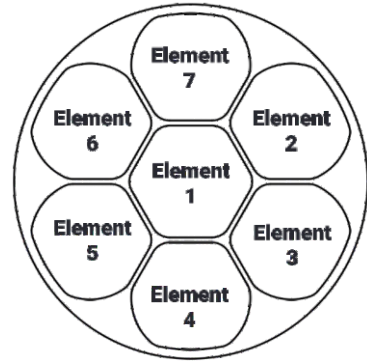
| DMX channel | Value | Function |
|-------------|---|--|
| 10 | 000 – 009 010 – 099 100 – 109 110 – 179 180 – 189 190 – 255 | STROBE NO FUNCTION STROBE SLOW TO FAST NO FUNCTION THUNDER STROBE NO FUNCTION RANDOM STROBE |
| 11 | 000 – 255 | ZOOM |
| 12 | 000 – 009 010 – 019 020 – 029 030 – 039 040 – 049 050 – 059 060 – 079 080 – 089 090 – 99 100 – 109 100 – 119 120 – 129 130 – 139 140 – 149 150 – 159 160 – 169 170 – 179 180 – 255 | CONTROL NO FUNCTION PAN/TILT BLACK ACTIVATED PAN/TILT BLACK DEATIVATED PAN INVERT TILT INVERT PAN/TILT INVERT OFF FAN LOW FAN HIGH FAN AUTO PAN/TILT RESET RESET ALL NO FUNCTION NO DIM DIM 1 DIM 2 DIM 3 DIM 4 NO FUNCTION |

4.2 Person2

| DMX channal | Value | Function |
|-------------|--|--|
| 1 | 0 - 255 | PAN |
| 2 | 0 - 255 | PAN FINE |
| 3 | 0 - 255 | TILT |
| 4 | 0 - 255 | TILT FINE |
| 5 | 0 - 255 | PT SPEED |
| 6 | 0 - 255 | RED |
| 7 | 0 - 255 | RED FINE |
| 8 | 0 - 255 | GREEN |
| 9 | 0 - 255 | GREEN FINE |
| 10 | 000 - 255 | BLUE |
| 11 | 000 - 255 | BLUE FINE |
| 12 | 000 - 255 | WHITE |
| 13 | 000 - 255 | WHITE FINE |
| 14 | 000 - 255 | DIMMER |
| 15 | 000 - 255 | DIMMER FINE |
| 16 | 000 – 009 010 – 029 030 – 049 050 – 069 070 – 089 090 – 109 110 – 129 130 – 149 150 – 169 170 – 189 190 – 199 200 – 209 210 – 219 220 – 229 230 – 239 240 – 255 | MACROS NO FUNCTION RED 100% / GREEN UP RED DOWN / GREEN 100% GREEN 100% / BLUE UP GREEN DOWN / BLUE 100% RED UP / BLUE 100% RED 100% / BLUE DOWN RED 100% / GREEN UP / BLUE UP RED DOWN/ GREEN DOWN / BLUE 100% ALL LED 100 % 2700K 3200K 4200K 5600K 6500K 8000K |

4.3 Person2

| DMX channel | Value | Function |
|-------------|-----------------------|------------------------|
| 17 | 000 – 005 | SINGLE ELEMENTS |
| | 006 – 010 | NO FUNCTION |
| | 011 – 015 | 1 |
| | 16 – 20 | 2 |
| | 21 – 25 | 3 |
| | 26 – 30 | 4 |
| | 31 – 35 | 5 |
| | 36 – 40 | 6 |
| | 41 – 45 | 7 |
| | 46 – 50 | 1,2 |
| | 51 – 55 | 1,3 |
| | 56 – 60 | 1,4 |
| | 61 – 65 | 1,5 |
| | 66 – 70 | 1,6 |
| | 71 – 75 | 1,7 |
| | 76 – 80 | 2,3 |
| | 81 – 85 | 2,3 |
| | 86 – 90 | 4,5 |
| | 91 – 95 | 4,5 |
| | 96 – 100 | 6,7 |
| | 101 – 105 | 1,2,3 |
| | 106 – 110 | 1,2,3 |
| | 111 – 115 | 1,4,5 |
| | 116 – 120 | 1,6,7 |
| | 121 – 125 | 2,3,4 |
| | 126 – 130 | 2,3,4 |
| | 131 – 135 | 5,6,7 |
| | 136 – 140 | 5,6,7 |
| | 141 – 145 | 4,5,6 |
| | 146 – 150 | 7,2,3 |
| | 151 – 155 | 1,2,3,4 |
| | 156 – 160 | 1,5,6,7 |
| | 161 – 165 | 2,3,4,5,6,7 |
| 166 – 170 | 2,3,4,5,6,7 | |
| 171 – 175 | ALL ELEMENTS | |
| 176 – 180 | RUN 1 – 7 | |
| 181 – 185 | RUN 7 – 1 | |
| 186 – 190 | 2,3 > 4,5 > 6,7 | |
| 191 – 195 | 1,2,3 > 1,4,5 > 1,6,7 | |
| 196 – 200 | 1 > 2,3,4,5,6,7 | |
| 201 – 205 | 2,3,4,5,6,7 > 1 | |
| 206 – 210 | RED 2700K | |
| 211 – 215 | ORANGE 2700K | |
| 216 – 220 | YELLOW 2700K | |
| 221 – 225 | GREEN 2700K | |
| | CYAN 2700K | |
| | BLUE 2700K | |
| | MAGENTA 2700K | |
| | RED 2700K | |
| | RED 5600K | |
| | ORANGE 5600K | |
| | YELLOW 5600K | |



4.3 Person2

| DMX channel | Value | Function |
|-------------|--|---|
| 17 | 226 – 230 231 – 235 236 – 240 241 – 245 246 – 255 | SINGLE ELEMENTS GREEN 5600K CYAN 5600K BLUE 5600K MAGENTA 5600K RED 5600K |
| 18 | 000 – 009 010 – 099 100 – 109 110 – 179 180 – 189 190 – 255 | STROBE NO FUNCTION STROBE SLOW TO FAST NO FUNCTION THUNDER STROBE NO FUNCTION RANDOM STROBE |
| 19 | 0 - 255 | ZOOM |
| 20 | 000 – 009 010 – 019 020 – 029 030 – 039 040 – 049 050 – 059 060 – 079 080 – 089 090 – 099 100 – 109 100 – 119 120 – 129 130 – 139 140 – 149 150 – 159 160 – 169 170 – 179 180 – 255 | CONTROL NO FUNCTION PAN/TILT BLACK ACTIVATED PAN/TILT BLACK DEACTIVATED PAN INVERT TILT INVERT PAN/TILT INVERT OFF FAN LOW FAN HIGH FAN AUTO PAN/TILT RESET RESET ALL NO FUNCTION NO DIM DIM 1 DIM 2 DIM 3 DIM 4 NO FUNCTION |

4.4 Pixel

| DMX channel | Value | Function |
|-------------|--|---|
| 1 | 0 - 255 | PAN |
| 2 | 0 - 255 | PAN FINE |
| 3 | 0 - 255 | TILT |
| 4 | 0 - 255 | TILT FINE |
| 5 | 0 - 255 | PT SPEED |
| 6 | 0 - 255 | DIMMER |
| 7 | 000 – 009 010 – 099 100 – 109 110 – 179 180 – 189 190 – 255 | STROBE NO FUNCTION STROBE SLOW TO FAST NO FUNCTION THUNDER STROBE NO FUNCTION RANDOM STROBE |
| 8 | 0 - 255 | ZOOM |
| 9 | 000 – 009 010 – 019 020 – 029 030 – 039 040 – 049 050 – 059 060 – 079 080 – 089 090 – 099 100 – 109 100 – 119 120 – 129 130 – 139 140 – 149 150 – 159 160 – 169 170 – 179 180 – 255 | CONTROL NO FUNCTION PAN/TILT BLACK ACTIVATED PAN/TILT BLACK DEACTIVATED PAN INVERT TILT INVERT PAN/TILT INVERT OFF FAN LOW FAN HIGH FAN AUTO PAN/TILT RESET RESET ALL NO FUNCTION NO DIM DIM 1 DIM 2 DIM 3 DIM 4 NO FUNCTION |

4.4 Pixel

| DMX channel | Value | Function |
|-------------|---------|----------|
| 10 | 0 - 255 | RED 1 |
| 11 | 0 - 255 | GREEN 1 |
| 12 | 0 - 255 | BLUE 1 |
| 13 | 0 - 255 | WHITE 1 |
| 14 | 0 - 255 | RED 2 |
| 15 | 0 - 255 | GREEN 2 |
| 16 | 0 - 255 | BLUE 2 |
| 17 | 0 - 255 | WHITE 2 |
| 18 | 0 - 255 | RED 3 |
| 19 | 0 - 255 | GREEN 3 |
| 20 | 0 - 255 | BLUE 3 |
| 21 | 0 - 255 | WHITE 3 |
| 22 | 0 - 255 | RED 4 |
| 23 | 0 - 255 | GREEN 4 |
| 24 | 0 - 255 | BLUE 4 |
| 25 | 0 - 255 | WHITE 4 |
| 26 | 0 - 255 | RED 5 |
| 27 | 0 - 255 | GREEN 5 |
| 28 | 0 - 255 | BLUE 5 |
| 29 | 0 - 255 | WHITE 5 |
| 30 | 0 - 255 | RED 6 |
| 31 | 0 - 255 | GREEN 6 |
| 32 | 0 - 255 | BLUE 6 |
| 33 | 0 - 255 | WHITE 6 |

4.4 Pixel

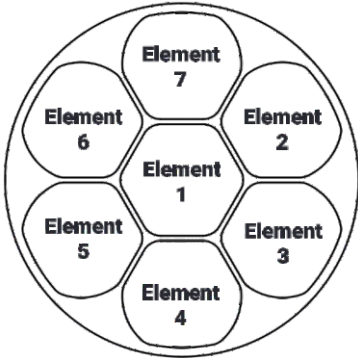
| DMX channel | Value | Function |
|-------------|---------|----------------|
| 34 | 0 - 255 | RED 7 |
| 35 | 0 - 255 | GREEN 7 |
| 36 | 0 - 255 | BLUE 7 |
| 37 | 0 - 255 | WHITE 7 |

4.5 CMY

| DMX channel | Value | Function |
|-------------|--|--|
| 1 | 0 - 255 | PAN |
| 2 | 0 - 255 | PAN FINE |
| 3 | 0 - 255 | TILT |
| 4 | 0 - 255 | TILT FINE |
| 5 | 0 - 255 | PT SPEED |
| 6 | 0 - 255 | CYAN |
| 7 | 0 - 255 | MAGENTA |
| 8 | 0 - 255 | YELLOW |
| 9 | 0 - 255 | DIMMER |
| 10 | 000 – 009 010 – 029 030 – 049 050 – 069 070 – 089 090 – 109 110 – 129 130 – 149 150 – 169 170 – 189 190 – 199 200 – 209 210 – 219 220 – 229 230 – 239 240 – 255 | MACROS NO FUNCTION CYAN 100% / MAGENTA UP CYAN DOWN / MAGENTA 100% MAGENTA 100% / YELLOW UP MAGENTA DOWN / YELLOW 100% CYAN UP / YELLOW 100% CYAN 100% / YELLOW DOWN CYAN 100% / MAGENTA UP CYAN DOWN/ MAGENTA DOWN / YELLOW 100% NO FUNCTION 2700K 3200K 4200K 5600K 6500K 8000K |

4.5 CMY

| DMX channel | Value | Function |
|-------------|-----------------|------------------------|
| 11 | 000 – 005 | SINGLE ELEMENTS |
| | 006 – 010 | NO FUNCTION |
| | 011 – 015 | 1 |
| | 16 – 20 | 2 |
| | 21 – 25 | 3 |
| | 26 – 30 | 4 |
| | 31 – 35 | 5 |
| | 36 – 40 | 6 |
| | 41 – 45 | 7 |
| | 46 – 50 | 1,2 |
| | 51 – 55 | 1,3 |
| | 56 – 60 | 1,4 |
| | 61 – 65 | 1,5 |
| | 66 – 70 | 1,6 |
| | 71 – 75 | 1,7 |
| | 76 – 80 | 2,3 |
| | 81 – 85 | 2,4 |
| | 86 – 90 | 2,5 |
| | 91 – 95 | 2,6 |
| | 96 – 100 | 2,7 |
| | 101 – 105 | 3,4 |
| | 106 – 110 | 3,5 |
| | 111 – 115 | 3,6 |
| | 116 – 120 | 3,7 |
| | 121 – 125 | 4,5 |
| | 126 – 130 | 4,6 |
| | 131 – 135 | 4,7 |
| | 136 – 140 | 5,6,7 |
| | 141 – 145 | ALL ELEMENTS |
| | 146 – 150 | RUN 1 – 7 |
| | 151 – 155 | RUN 7 – 1 |
| | 156 – 160 | 2,3 > 4,5 > 6,7 |
| | 161 – 165 | 1,2,3 > 1,4,5 > 1,6,7 |
| 166 – 170 | 1 > 2,3,4,5,6,7 | |
| 171 – 175 | 2,3,4,5,6,7 > 1 | |
| 176 – 180 | RED 2700K | |
| 181 – 185 | ORANGE 2700K | |
| 186 – 190 | YELLOW 2700K | |
| 191 – 195 | GREEN 2700K | |
| 196 – 200 | CYAN 2700K | |
| 201 – 205 | BLUE 2700K | |
| 206 – 210 | MAGENTA 2700K | |
| 211 – 215 | RED 2700K | |
| 216 – 220 | RED 5600K | |
| 221 – 225 | ORANGE 5600K | |
| | YELLOW 5600K | |



4.5 CMY

| DMX channel | Value | Function |
|-------------|---|---|
| 11 | 226 – 230 231 – 235 236 – 240 241 – 245 246 – 255 | GREEN 5600K CYAN 5600K BLUE 5600K MAGENTA 5600K RED 5600K |
| 12 | 000 – 009 010 – 099 100 – 109 110 – 179 180 – 189 190 – 255 | STROBE NO FUNCTION STROBE SLOW TO FAST NO FUNCTION THUNDER STROBE NO FUNCTION RANDOM STROBE |
| 13 | 0 - 255 | ZOOM |
| 14 | 000 – 009 010 – 019 020 – 029 030 – 039 040 – 049 050 – 059 060 – 079 080 – 089 090 – 99 100 – 109 100 – 119 120 – 129 130 – 139 140 – 149 150 – 159 160 – 169 170 – 179 180 – 255 | CONTROL NO FUNCTION PAN/TILT BLACK ACTIVATED PAN/TILT BLACK DEACTIVATED PAN INVERT TILT INVERT PAN/TILT INVERT OFF FAN LOW FAN HIGH FAN AUTO PAN/TILT RESET RESET ALL NO FUNCTION NO DIM DIM 1 DIM 2 DIM 3 DIM 4 NO FUNCTION |

EXPOLITE

