

# **EXPOLITE**

## **TourLED MC 120**

### **MKII**



## ***User Manual***

***Art.No.:led25120***

# Index:

<b>1-Introduction.....</b>	<b>1</b>
1.1 Specifications.....	1
1.2 Safety information.....	3
<b>2-Installation.....</b>	<b>3</b>
2.1 Mounting.....	3
2.2 Connection.....	4
<b>3-Menu .....</b>	<b>4</b>
3.1 Controlpanel.....	4
3.2 Menu.....	5
3.3 Static.....	7
3.4 Address.....	7
3.5 Run Mode.....	7
3.6 Personality.....	7
3.7 Auto Program.....	8
3.8 Setting.....	8
3.9 Info.....	9
3.10 CCT.....	9
3.11 Preset Color.....	10
<b>4-DMX Chart .....</b>	<b>11</b>
4.1 HSIC .....	11
4.2 SSP.....	12
4.3 Tour.....	13
4.4 TR16.....	25
<b>4-DMX Chart .....</b>	<b>17</b>

# 1 Introduction

## 1.1 Spezifikationen

### **Art.No.:**

led25120

### **Delivery**

ExpoLite TourLED MC 120 MKII

Powercord

General information for ExpoLite units

### **Voltage**

100-240VAC, 50/60Hz

130 Watt

### **Optional accessories**

Safety 60cm/4mm

Art.Nr.: sic62116

### **Connectors**

Seetronic Power IP in/out

XLR 3+5-Pol in/out

PowerCon True1 5m extention

Art.Nr.: kab44905

### **Control**

DMX 512

PowerCon True1 3m extention

Art.Nr.: kab44900

### **Optic**

Osram LED 3x 40W RGBW

Abstrahlwinkel 4,5°- 36°

2.700K- 8.000K

Doughty Twenty Clamp, black

Art.Nr.: dou62200

### **Specials**

Keine Farbschatten

Lüfterlos

### **Environment**

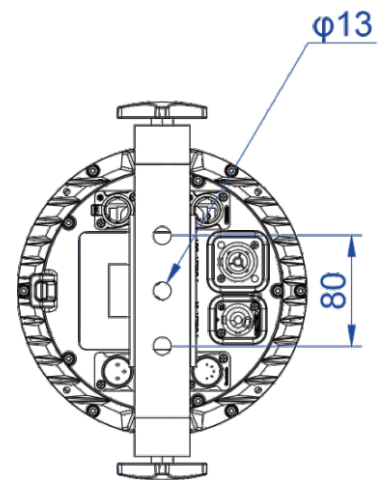
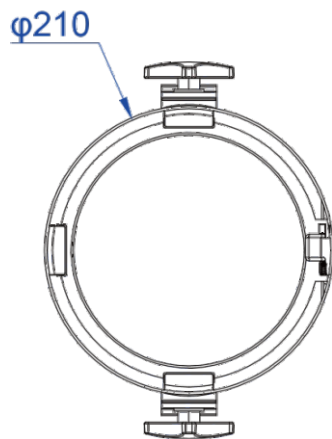
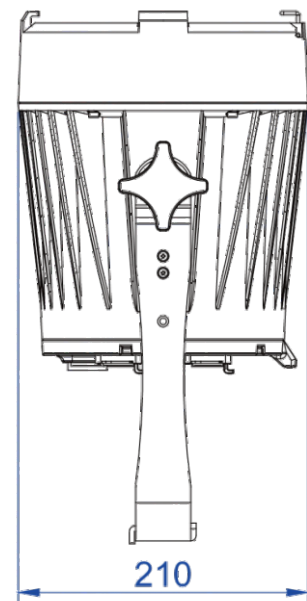
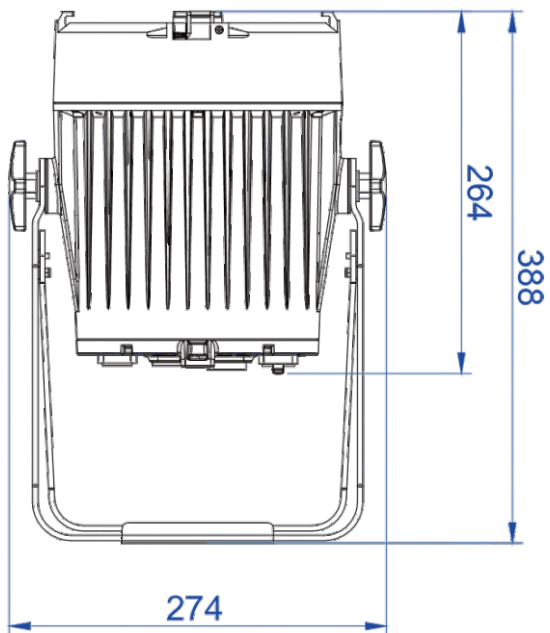
0°C- 45°C

IP65

## Dimensions

274x210x388mm (LxWxH)

7,3kg



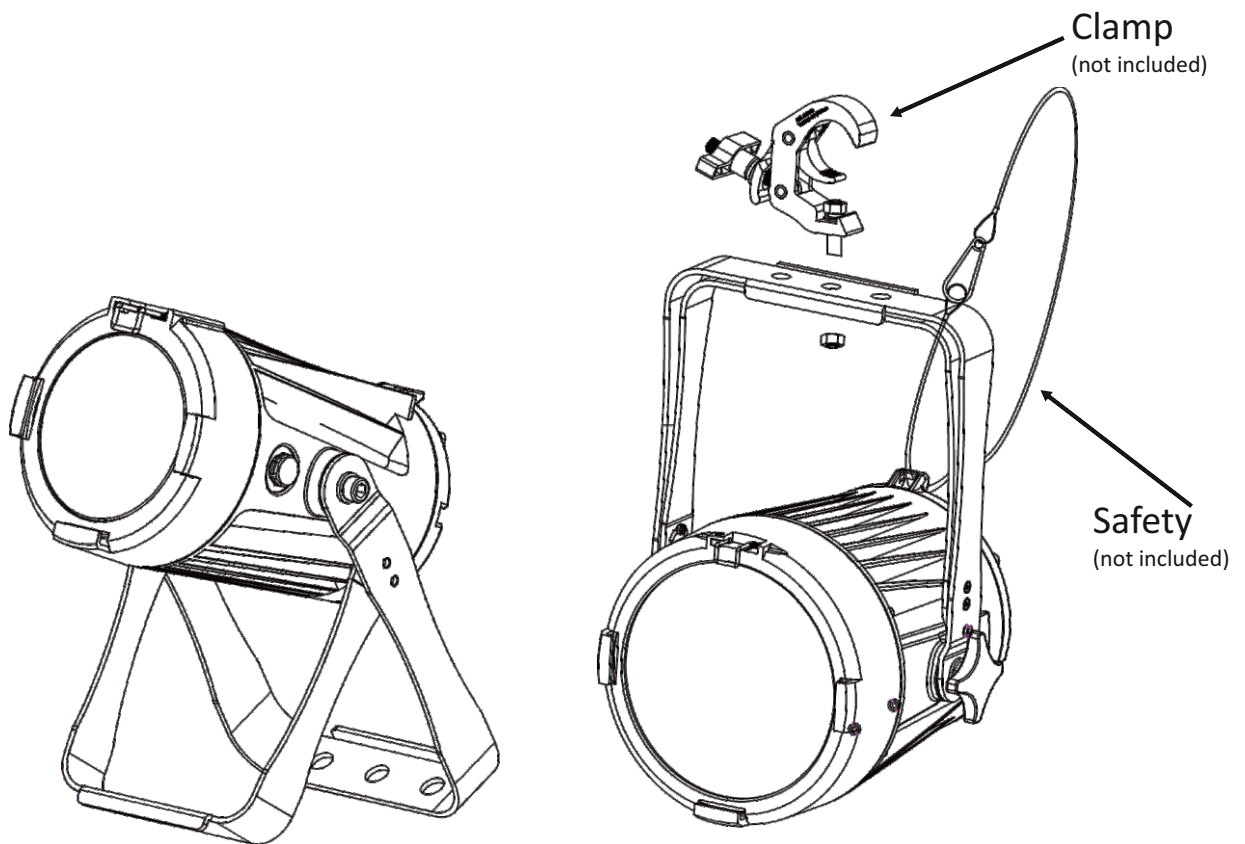
## 1.2 Safety information

For safety information please read the document „General information for ExpoLite units“.

## 2 Installation

### 2.1 Mounting

This unit can be mounted in any position.  
All common clamps can be mounted to the yoke.  
This unit must be secured from falling down according to the current regulations.



upright

hanging

## 2.2 Connection

At 240V mains: maximum 13 units daisy-chain

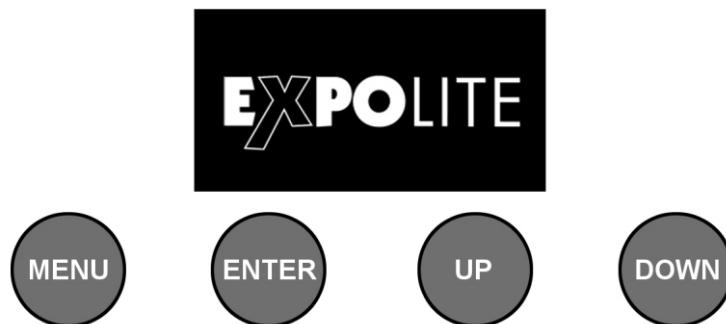
At 100V mains: maximum 6 units daisy-chain

### Attention:

If the signal cable is longer than 60m, a signal booster is required.

## 3 Menu

### 3.1 Controlpanel



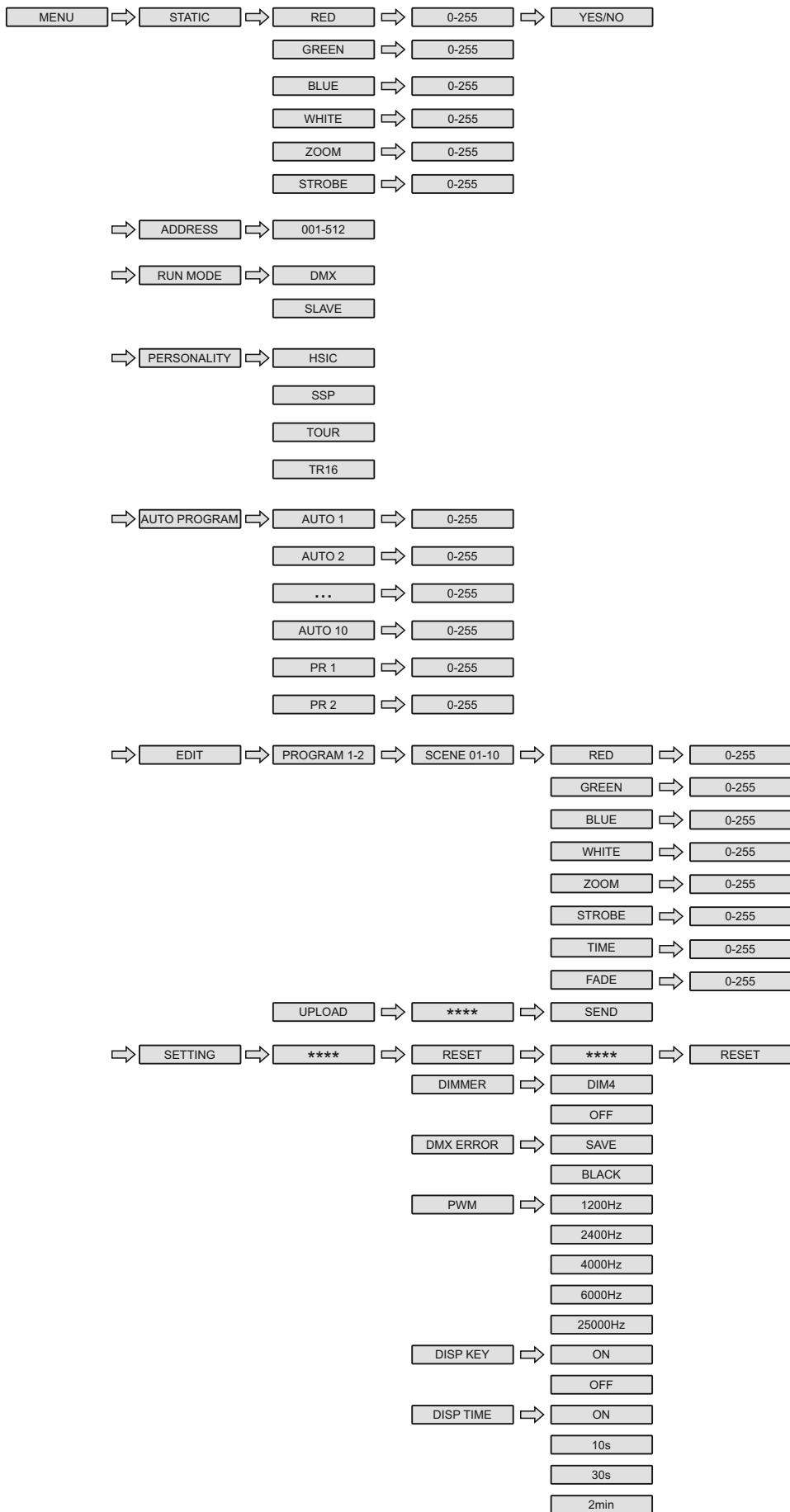
Menu: Enter menu/ step back

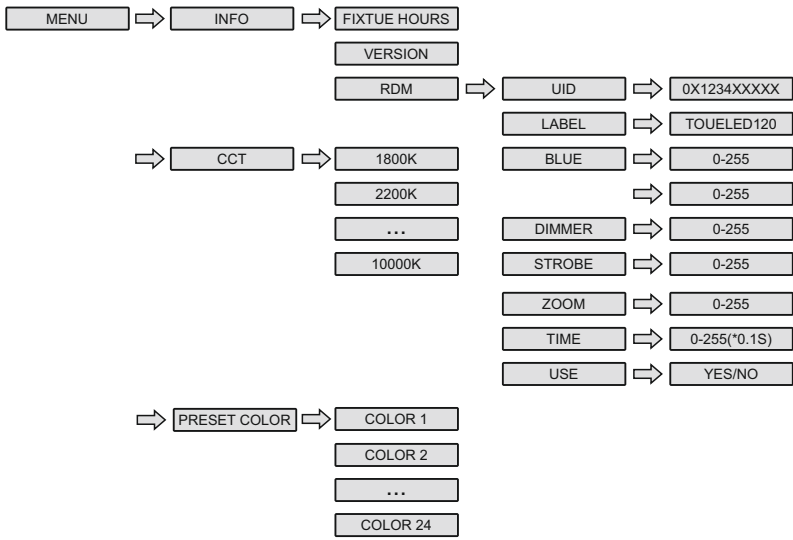
Enter: Confirm

Up: up

Down: down

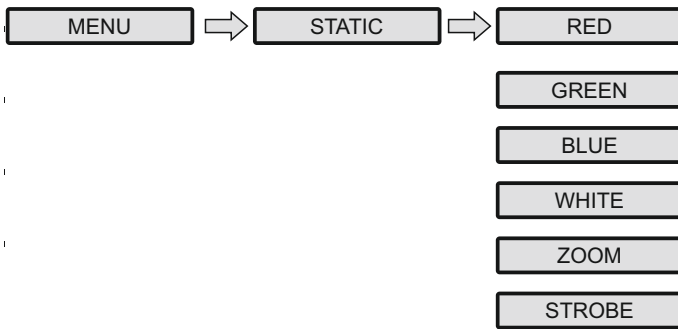
# 3.2 Menu







### 3.3 Static



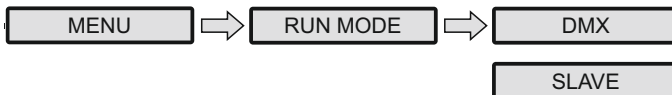
Values for manual stand alone can be set.  
Go to „STATIC“ and set the values of the functions.

### 3.4 Address



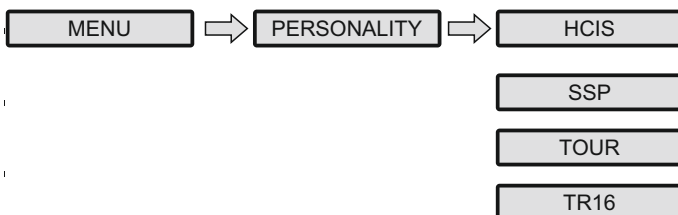
the DMX-Address can be set here.

### 3.5 Run Mode



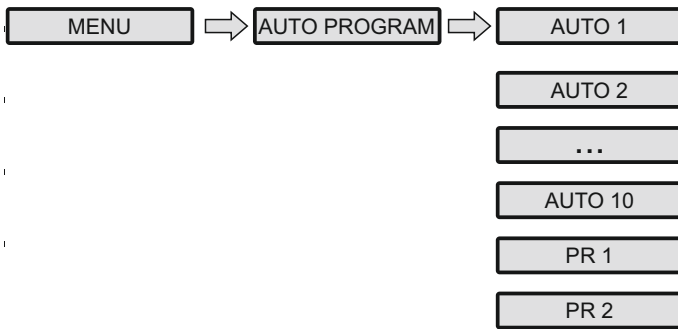
Different control protocols can be selected here.  
„CUSTOM 1“ and „CUSTOM 2“ triggers the custom auto programm  
from the „EDIT“ menu.

### 3.6 Personality



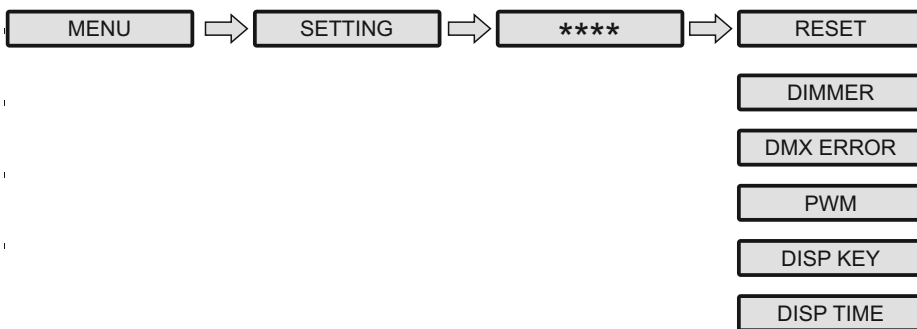
Different DMX- profilef can be selected here.

## 3.7 Auto Program



Pre programmed auto programs and custom programs can be chosen here. „PR1" and „PR2" triggers the custom auto program from the „EDIT" menu.

## 3.8 Setting



Different settings can be done here. This menu is password protected. Enter the password „↑↓↑↓“.

### **Reset**

Factory reset will be done here. This menu is password protected. Enter the password „↑↓↑↓“.

### **Dimmer**

Various dimmer curves can be set from slow to fast.

„Dim4" is the slowest curve (halogensimulation), „Dim1" the fastest.

## DMX Error

The reaction of losig signal can be set. Choose „SAVE“ to keep the last value or „BLACK“ for Blackout.

## PWM

The reaction of losig signal can be set. Choose „SAVE“ to keep the last value or „BLACK“ for Blackout.

## Disp Key

The display lock can be activated or deactivated.  
Enter the password („↑↓↑↓“) to enter the menu.

## Disp Time

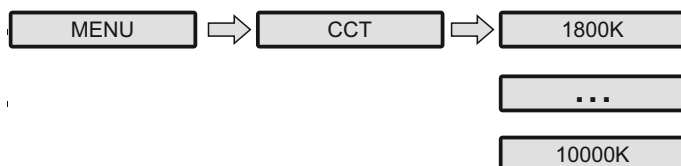
The display can be set as always on or off by a delay time.

## 3.9 Info



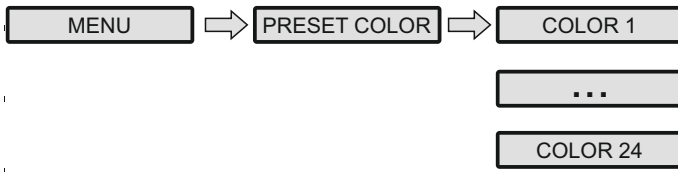
This menu shows different fixture informations.

## 3.10 CCT



Various color presets can be chosen here.

## 3.11 Preset Color



This menu shows different fixture informations.

# 4 Kanalbelegung

## 4.1 HSIC

DMX Kanal	Wert	Funktion
<b>1</b>	0 - 255	<b>INTENSITY</b>
<b>2</b>	0 - 255	<b>HUE</b>
<b>3</b>	0 - 255	<b>HUE FINE</b>
<b>4</b>	0 - 255	<b>SATURATION</b>
<b>5</b>	000 - 009 010 - 024 025 - 039 040 - 054 055 - 069 070 - 084 085 - 099 100 - 114 115 - 129 130 - 144 145 - 159 160 - 174 175 - 189 190 - 204 205 - 255	<b>CCT</b> NO FUNCTION 1800K 2200K 2700K 3000K 3200K 4000K 4500K 5000K 5600K 6000K 6500K 7000K 8000K 10000K
<b>6</b>	000 - 009 010 - 099 100 - 109 110 - 179 180 - 189 190 - 255	<b>STROBE</b> NO FUNCTION STROBE FROM SLOW TO FAST (0-25Hz) NO FUNCTION THUNDER STROBE NO FUNCTION RANDOM STROBE
<b>7</b>	000 - 255	<b>ZOOM</b>

## 4.1 HSIC

DMX Kanal	Wert	Funktion
<b>8</b>	000 - 010	<b>CONTROL</b> NO FUNCTION
	011 - 100	RESERVED
	101 - 110	DIMMER OFF
	111 - 120	DIMMER DIM4
	121 - 150	RESERVED
	151 - 160	1200Hz
	161 - 170	2400Hz
	171 - 180	4000Hz
	181 - 190	6000Hz
	191 - 200	25000Hz
	201 - 210	ALL RESET
	211 - 220	ZOOM RESET
	221 - 255	RESERVED

## 4.2 SSP

DMX Kanal	Wert	Funktion
<b>1</b>	000 - 255	<b>DIMMER</b>
<b>2</b>	000 - 255	<b>RED</b>
<b>3</b>	000 - 255	<b>GREEN</b>
<b>4</b>	000 - 255	<b>BLUE</b>
<b>5</b>	000 - 255	<b>WHITE</b>
<b>6</b>	000 - 009	<b>STROBE</b> NO FUNCTION
	010 - 099	<b>STROBE FROM SLOW TO FAST (0-25Hz)</b>
	100 - 109	NO FUNCTION
	110 - 179	<b>THUNDER STROBE</b>
	180 - 189	NO FUNCTION
	190 - 255	<b>RANDOM STROBE</b>
<b>7</b>	000 - 255	<b>ZOOM</b>

## 4.2 SSP

DMX Kanal	Wert	Funktion
<b>8</b>	000 - 010	<b>CONTROL</b> NO FUNCTION
	011 - 100	RESERVED
	101 - 110	DIMMER OFF
	111 - 120	DIMMER DIM4
	121 - 150	RESERVED
	151 - 160	1200Hz
	161 - 170	2400Hz
	171 - 180	4000Hz
	181 - 190	6000Hz
	191 - 200	25000Hz
	201 - 210	ALL RESET
	211 - 220	ZOOM RESET
	221 - 255	RESERVED

## 4.3 TOUR

DMX Kanal	Wert	Funktion
<b>1</b>	000 - 255	<b>DIMMER</b>
<b>2</b>	000 - 255	<b>RED</b>
<b>3</b>	000 - 255	<b>GREEN</b>
<b>4</b>	000 - 255	<b>BLUE</b>
<b>5</b>	000 - 255	<b>WHITE</b>
<b>6</b>	000 - 010	<b>PRESET COLOR</b> NO FUNCTION
	011 - 255	PRESET COLORS
<b>7</b>	000 - 009	<b>CCT</b> NO FUNCTION
	010 - 024	1800K
	025 - 039	2200K
	040 - 054	2700K
	055 - 069	3000K
	070 - 084	3200K
	085 - 099	4000K
	100 - 114	4500K
	115 - 129	5000K
	130 - 144	5600K
	145 - 159	6000K
	160 - 174	6500K
	175 - 189	7000K
	190 - 204	8000K
	205 - 255	10000K

## 4.3 Tour

DMX Kanal	Wert	Funktion
<b>8</b>	000 - 009 010 - 099 100 - 109 110 - 179 180 - 189 190 - 255	<b>STROBE</b> NO FUNCTION STROBE FROM SLOW TO FAST (0-25Hz) NO FUNCTION THUNDER STROBE NO FUNCTION RANDOM STROBE
<b>9</b>	000 - 040 041 - 050 051 - 060 061 - 070 071 - 080 081 - 090 091 - 100 101 - 110 111 - 120 121 - 130 131 - 140 141 - 150 151 - 160 161 - 255	<b>AUTO</b> NO FUNCTION AUTO 1 AUTO 2 AUTO 3 AUTO 4 AUTO 5 AUTO 6 AUTO 7 AUTO 8 AUTO 9 AUTO 10 PROGRAM 1 PROGRAM 2 NO FUNCTION
<b>10</b>	000 - 255	<b>AUTO SPEED ADJUSTMENT</b>
<b>11</b>	000 - 255	<b>ZOOM</b>
<b>12</b>	000 - 010 011 - 100 101 - 110 111 - 120 121 - 150 151 - 160 161 - 170 171 - 180 181 - 190 191 - 200 201 - 210 211 - 220 221 - 255	<b>CONTROL</b> NO FUNCTION RESERVED DIMMER OFF DIMMER DIM4 RESERVED 1200Hz 2400Hz 4000Hz 6000Hz 25000Hz ALL RESET ZOOM RESET RESERVED



## 4.2 TR16

DMX Kanal	Wert	Funktion
1	000 – 255	<b>MASTER DIMMER</b>
2	000 – 255	<b>MASTER DIMMER FINE</b>
3	000 – 255	<b>RED</b>
4	000 – 255	<b>RED FINE</b>
5	000 – 255	<b>GREEN</b>
6	000 – 255	<b>GREEN FINE</b>
7	000 – 255	<b>BLUE</b>
8	000 – 255	<b>BLUE FINE</b>
9	000 – 255	<b>WHITE</b>
10	000 – 255	<b>WHITE FINE</b>
11	000 - 010 011 - 255	<b>PRESET COLOR</b> NO NONCTION PRESET COLOR (Siehe Anhang I für Details)
12	000 - 009 010 - 024 025 - 039 040 - 054 055 - 069 070 - 084 085 - 099 100 - 114 115 - 129 130 - 144 145 - 159 160 - 174 175 - 189 190 - 204 205 - 255	<b>CCT</b> NO FUNCTION 1800K 2200K 2700K 3000K 3200K 4000K 4500K 5000K 5600K 6000K 6500K 7000K 8000K 10000K

## 4.2 TR16

DMX Kanal	Wert	Funktion
<b>13</b>	000 - 009 010 - 099 100 - 109 110 - 179 180 - 189 190 - 255	<b>STROBE</b> NO FUNCTION STROBE FROM SLOW TO FAST (0-25Hz) NO FUNCTION THUNDER STROBE NO FUNCTION RANDOM STROBE
<b>14</b>	000 - 040 041 - 050 051 - 060 061 - 070 071 - 080 081 - 090 091 - 100 101 - 110 111 - 120 121 - 130 131 - 140 141 - 150 151 - 160 161 - 255	<b>AUTO</b> NO FUNCTION AUTO 1 AUTO 2 AUTO 3 AUTO 4 AUTO 5 AUTO 6 AUTO 7 AUTO 8 AUTO 9 AUTO 10 PROGRAM 1 PROGRAM 2 NO FUNCTION
<b>15</b>	000 - 255	<b>AUTO SPEED ADJUSTMENT</b>
<b>16</b>	000 - 255	<b>ZOOM</b>
<b>17</b>	000 - 010 011 - 100 101 - 110 111 - 120 121 - 150 151 - 160 161 - 170 171 - 180 181 - 190 191 - 200 201 - 210 211 - 220 221 - 255	<b>CONTROL</b> NO FUNCTION RESERVED DIMMER OFF DIMMER DIM4 RESERVED 1200Hz 2400Hz 4000Hz 6000Hz 25000Hz ALL RESET ZOOM RESET RESERVED

# 5 Anhang

PRESET COLOR	Value	Color Names	x	y	
	0-10	NO FUNCTION			
	11-15	RESERVE	Loving Amber	0.407	0.321
COLOR 1	16-20	R40	Light Salmon	0.499	0.321
COLOR 2	21-25	L24	Scarlet	0.561	0.296
COLOR 3	26-30	L164	Flame Red	0.659	0.302
	31-35	RESERVE	Easy White	0.389	0.344
	36-40	RESERVE	Warm Peach	0.448	0.353
COLOR 4	41-45	L08	Dark Salmon	0.498	0.347
COLOR 5	46-50	L25	Sunset Red	0.566	0.359
	51-55	RESERVE	Medium Bastard Amber	0.37	0.335
COLOR 6	56-60	L237	CID(To Tungsten)	0.43	0.365
COLOR 7	61-65	R321	Soft Golden Amber	0.477	0.406
COLOR 8	66-70	L652	Urban Sodium	0.535	0.399
	71-75	RESERVE	LCT Yellow(Y1)	0.34	0.363
COLOR 9	76-80	L765	LEE Yellow	0.389	0.412
COLOR 10	81-85	L513	Ice And A Slice	0.38	0.447
	86-90	RESERVE	Spring Yellow	0.41	0.502
	91-95	RESERVE	LEE Plus Green	0.324	0.388
	96-100	RESERVE	CalColor 30 Green	0.318	0.44
	101-105	RESERVE	Fern Green	0.234	0.543
COLOR 11	106-110	L90	Dark Yellow Green	0.184	0.641
	111-115	RESERVE	LEE Fluorescent3600K	0.286	0.37
COLOR 12	116-120	R92	Tuiquoise	0.235	0.36
	121-125	RESERVE	Kelly Green	0.185	0.459
	126-130	RESERVE	Forest Green	0.162	0.496
	131-135	RESERVE	Cosmetic Aqua Blue	0.3	0.318
COLOR 13	136-140	L728	Steel Green	0.256	0.302
COLOR 14	141-145	L117	Steel Blue	0.223	0.278
COLOR 15	146-150	L354	Special Steel Blue	0.173	0.265
	151-155	RESERVE	Paler Lavender	0.284	0.284
COLOR 16	156-160	L501	New Colour Blue	0.246	0.249
COLOR 17	161-165	L174	Dark Steel Blue	0.204	0.205
	166-170	RESERVE	Daylight Blue	0.159	0.158
	171-175	RESERVE	Pale Lavender	0.288	0.254
	176-180	RESERVE	Surprise Pink	0.24	0.183
COLOR 18	181-185	L142	Pale Violet	0.209	0.148
	186-190	RESERVE	Perfect Lavender	0.177	0.07
	191-195	RESERVE	Light Pink	0.335	0.289
COLOR 19	196-200	L794	Pretty'n Pink	0.335	0.251
COLOR 20	201-205	L328	Follies Pink	0.335	0.18
	206-210	RESERVE	Magical Magenta	0.327	0.138
	211-215	RESERVE	Pale Rose	0.35	0.318
COLOR 21	216-220	L127	Smokey Pink	0.397	0.265
COLOR 22	221-225	L192	Flesh Pink	0.41	0.237
	226-230	RESERVE	Special Rose Pink	0.465	0.193
	231-235	RESERVE	Moroccan Pink	0.378	0.324
COLOR 23	236-240	L157	Pink	0.457	0.272
COLOR 24	241-245	R332	Cherry Rose	0.489	0.295
	246-250	RESERVE	Cool LED Bright Pink	0.57	0.263
	251-255	NO FUNCTION			

# EXPOLITE

