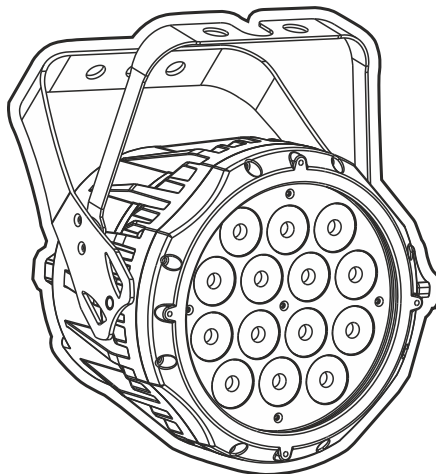


EXPOLITE

Tour-LED 50 XCR

led22311

Technische Daten



SPECS V201711-001

Änderungen sind ohne Ankündigung möglich.
Changes are possible without prior notice.

AC100~240 V, 50/60Hz (外部电压) Input Voltage	Display for Auto and Custom control On-board	0~20Hz Strobe	DMX512 Control Protocol	DMX in/out Power in/out Fixture Connection	0-100%(16-bit) Dimmer	Convection Cooling	CE/CETL Certification	-20°C ~ 45°C Operation Temperature
---	--	------------------	----------------------------	---	--------------------------	-----------------------	--------------------------	--

SPECIFICATIONS

● LED Qty	14 X 5W (RGBW)
● Drive Current	350mA
● Max Power	65W
● Control Personality	TOUR/TR16/AR1.D/8BIT/16BIT/SSP/AR1.2/AR2.D/AR2.S (10CHS/13CHS/4CHS/10CHS/15CHS/7CHS/4CHS/5CHS/6CHS)
● Optics	16°
● Dimensions	245X205X245mm
● Weight	4.8kg
● Housing	Die-cast aluminum
● Color	Black
● Environment	IP 65

ILLUMINANCE AT DISTANCE

