



DRIVENET

THE ADVANCED POWER SUPPLY/CONTROLLER FOR LARGE NETWORKS OF LED PROJECTORS.

DRIVENET is available in **8 models with different features that offer solutions tailored to the most complex lighting installation requirements**: 16 to 64 channels independently configurable; current 200 mA ÷ 700 mA, or 200 mA ÷ 1600 mA; 48 Vdc or 24 Vdc output voltage, specific for different applications of the connected projectors: indoor/outdoor or underwater.

- Centralized and remote control (up to 100 m distance) of connected LED projectors.
- Monitoring of the status (current and voltage) of connected LED projectors on the built-in touch screen.
- Remote management of DRIVENET units via ArtNet protocol over LAN networks.
- Internal operating system updatable via DTS dongle firmware uploader.



- DRIVENET 416 POWER - 03.LA.191
- DRIVENET 416 - 03.LA.196
- DRIVENET 832 24V - 03.LA.177.V2
- DRIVENET 832 - 03.LA.177

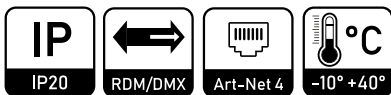
BOX SIZE (LxHxD)	WEIGHT	PACKAGING
55 x 20 x 49 cm	8.3 Kg	Carton box
21.7" x 7.9" x 19.3"	18.3 lbs	

- DRIVENET 832 POWER - 03.LA.184
- DRIVENET 832 POWER 24V - 03.LA.184.V2

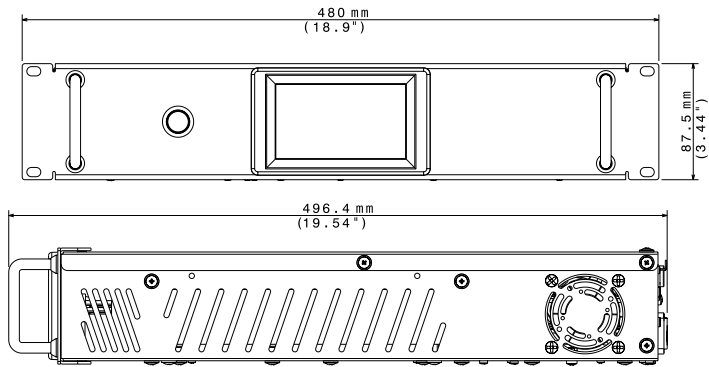
BOX SIZE (LxHxD)	WEIGHT	PACKAGING
57 x 53 x 22 cm	15.8 Kg	Carton box
22.4" x 20.9" x 8.7"	34.8 lbs	

- DRIVENET 1664 24V - 03.LA.195
- DRIVENET 1664 - 03.LA.198

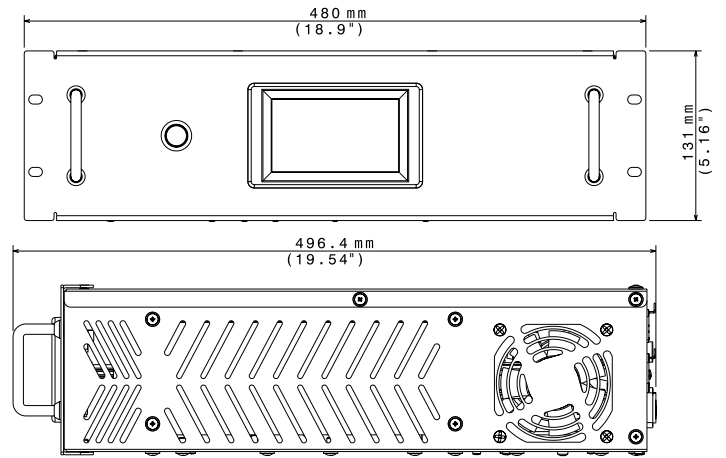
BOX SIZE (LxHxD)	WEIGHT	PACKAGING
57 x 53 x 22 cm	13 Kg	Carton box
22.4" x 20.9" x 8.7"	28.7 lbs	



DRIVENET 2U RACK



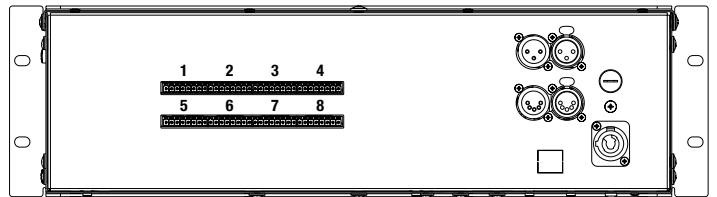
DRIVENET 3U RACK



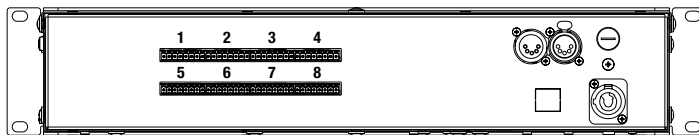
- DRIVENET 416 POWER - 03.LA.191
- DRIVENET 416 - 03.LA.196



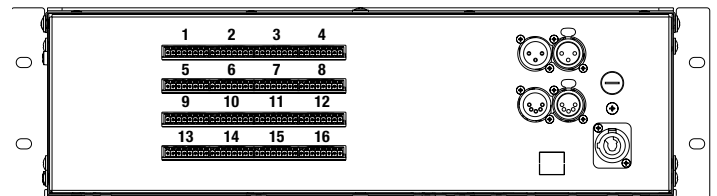
- DRIVENET 832 POWER - 03.LA.184
- DRIVENET 832 POWER 24V - 03.LA.184.V2



- DRIVENET 832 24V - 03.LA.177.V2
- DRIVENET 832 - 03.LA.177



- DRIVENET 1664 24V - 03.LA.195
- DRIVENET 1664 - 03.LA.198



DRIVENET SERIES – TECHNICAL DATA

	DRIVENET 28 EZ	DRIVENET 416	DRIVENET 832	DRIVENET 1664	DRIVENET 832 24Vdc	DRIVENET 1664 24Vdc	DRIVENET 416 POWER	DRIVENET 832 POWER	DRIVENET 832 24Vdc
Item code	03.LA.228	03.LA.196	03.LA.177	03.LA.198	03.LA.177.V2	03.LA.195	03.LA.191	03.LA.184	03.LA.184.V2
Input voltage/ frequency range	100-240Vac 50-60 Hz	100-240Vac 50-60Hz	100-240Vac 50-60Hz	180-240Vac 50-60Hz*	100-240Vac 50-60Hz	100-240Vac 50-60Hz	100-240Vac 50-60Hz	180-240Vac 50-60Hz*	100-240Vac 50-60Hz
Power factor	PF >0.94	PF >0.95	PF >0.95	PF >0.95	PF >0.95	PF >0.95	PF >0.95	PF >0.95	PF >0.95
Output channels	8 (4 channels x 2 group)	16 (4 channels x 4 groups)	32 (4 channels x 8 groups)	64 (4 channels x 16 groups)	32 (4 channels x 8 groups)	64 (4 channels x 16 groups)	16 (4 channels x 4 groups)	32 (4 channels x 8 groups)	32 (4 channels x 8 groups)
Output voltage	48Vdc	48Vdc	48Vdc	48Vdc	24Vdc	24Vdc	48Vdc	48Vdc	24Vdc
Output current	700mA max (per channel)	700mA Max (per channel)	700mA Max (per channel)	700mA Max (per channel)	700mA Max (per channel)	700mA Max (per channel)	1600mA Max (per channel)	1600mA Max (per channel)	1600mA Max (per channel)
Max power	300W	600W	1200W	2200W	600W	1100W	1200W	2400W	1200W
Max projectors distance	100 m**	50 m	50 m	50 m	100 m	100 m	50 m	50 m	50 m
Output connections	Screw terminal connectors	Screw terminal connectors	Screw terminal connectors	Screw terminal connectors	Screw terminal connectors	Screw terminal connectors	Screw terminal connectors	Screw terminal connectors	Screw terminal connectors
Mains connections	PowerCON male panel connector	PowerCON male panel connector	PowerCON male panel connector	PowerCON male panel connector	PowerCON male panel connector	PowerCON male panel connector	PowerCON male panel connector	PowerCON male panel connector	PowerCON male panel connector
DMX connections	XLR 5-pole In/Out panel connectors	XLR 5-pole In/Out panel connectors	XLR 5-pole In/Out panel connectors	XLR 5-pole and XLR 3-pole panel connectors	XLR 5-pole In/Out panel connectors	XLR 5-pole and XLR 3-pole panel connectors	XLR 5-pole In/Out panel connectors	XLR 5-pole and XLR 3-pole panel connectors	XLR 5-pole and XLR 3-pole panel connectors
Display	4-digit 7-segment LED display	Touch-screen color display	Touch-screen color display	Touch-screen color display	Touch-screen color display	Touch-screen color display	Touch-screen color display	Touch-screen color display	Touch-screen color display
DMX	•	•	•	•	•	•	•	•	•
RDM	•	•	•	•	•	•	•	•	•
Art-Net	-	• (optional)	• (optional)	• (optional)	• (optional)	• (optional)	• (optional)	• (optional)	• (optional)
DALI	•	-	-	-	-	-	-	-	-
Operating temperature	-10° / 40° C	-10° / 40° C	-10° / 40° C	-10° / 40° C	-10° / 40° C	-10° / 40° C	-10° / 40° C	-10° / 40° C	-10° / 40° C
Rack units	< 2U	2U	2U	3U	2U	3U	2U	3U	3U
Weight	2 Kg	6.9 Kg	6.9 Kg	11.4 Kg	6.9 Kg	11.4 Kg	6.9 Kg	13.8 Kg	13.8 Kg

*Voltage not compatible in: USA, Canada, Mexico, Venezuela, Colombia, Ecuador, Central America and Caribbean area, Japan, Taiwan, Libia.

** For FOS 100 and HELIOS R maximum distance must be 50 m.

DRIVENET SERIES – CONNECTIONS CHART

	DRIVENET 28 EZ	DRIVENET 416	DRIVENET 832	DRIVENET 1664	DRIVENET 832 24Vdc
BRICK ARC	-	-	-	-	-
MINI BRICK ARC	Max 2 (1 item per output)	Max 4 (1 item per output)	Max 8 (1 item per output)	Max 16 (1 item per output)	-
FOS 100 POWER FC	-	-	-	-	-
FOS 100 FC	Max 2 (1 item per output)	Max 4 (1 item per output)	Max 8 (1 item per output)	Max 16 (1 item per output)	-
FOS 100 WHITE 36	Max 2 (1 item per output)	Max 4 (1 item per output)	Max 8 (1 item per output)	Max 16 (1 item per output)	-
FOS 33 FC	Max 6 (3 items per output)	Max 12 (3 items per output)	Max 24 (3 items per output)	Max 48 (3 items per output)	-
FOS 33 WHITE 12	Max 8 (4 items per output)	Max 16 (4 items per output)	Max 32 (4 items per output)	Max 64 (4 items per output)	-
FREELINE 90 FC	Max 2 (1 item per output)	Max 4 (1 item per output)	Max 8 (1 item per output)	Max 16 (1 item per output)	-
FREELINE 60 FC	Max 2 (1 item per output)	Max 4 (1 item per output)	Max 8 (1 item per output)	Max 16 (1 item per output)	-
FREELINE 30 END FC	Max 6 (3 item per output)	Max 12 (3 item per output)	Max 24 (3 item per output)	Max 48 (3 item per output)	-
HELIOS R FC	Max 2 (1 item per output)	Max 4 (1 item per output)	Max 8 (1 item per output)	Max 16 (1 item per output)	-
EOS 6 / EOS 6 R FC	Max 4 (2 items per output)	Max 8 (2 items per output)	Max 16 (2 items per output)	Max 32 (2 items per output)	-
NIKI TIN 26 WHITE	Max 8 (4 items per output)	Max 16 (4 items per output)	Max 32 (4 items per output)	Max 64 (4 items per output)	-
NIKI TIN 26 FC	Max 6 (3 items per output)	Max 12 (3 items per output)	Max 24 (3 items per output)	Max 48 (3 items per output)	-
FOCUS / FOCUS R FC	Max 8 (4 items per output)	Max 16 (4 items per output)	Max 32 (4 items per output)	Max 64 (4 items per output)	-
FOCUS POWER	Max 24 (12 items per output)	Max 48 (12 items per output)	Max 96 (12 items per output)	Max 192 (12 items per output)	-
FOCUS PINSPOOT 3000K	Max 96 (48 items per output)	Max 192 (48 items per output)	Max 384 (48 items per output)	Max 768 (48 items per output)	-
TERRA WHITE	Max 24 (12 items per output)	Max 48 (12 items per output)	Max 96 (12 items per output)	Max 192 (12 items per output)	-
TERRA FC	Max 24 (12 items per output)	Max 48 (12 items per output)	Max 96 (12 items per output)	Max 192 (12 items per output)	-
SAV WHITE	Max 24 (12 items per output)	Max 48 (12 items per output)	Max 96 (12 items per output)	Max 192 (12 items per output)	-
SAV FC	Max 24 (12 items per output)	Max 48 (12 items per output)	Max 96 (12 items per output)	Max 192 (12 items per output)	-
MINIFOCUS / MINIFOCUS R FC	Max 24 (12 items per output)	Max 48 (12 items per output)	Max 96 (12 items per output)	Max 192 (12 items per output)	-
MICROFOCUS R	Max 96 (48 items per output)	Max 192 (48 items per output)	Max 384 (48 items per output)	Max 768 (48 items per output)	-
MICROFOCUS R MARKER 120	Max 96 (48 items per output)	Max 192 (48 items per output)	Max 384 (48 items per output)	Max 768 (48 items per output)	-
PIXEL DROP	Max 8 (4 items per output)	Max 16 (4 items per output)	Max 32 (4 items per output)	Max 64 (4 items per output)	-
MINIPIXEL DROP	Max 24 (12 items per output)	Max 48 (12 items per output)	Max 96 (12 items per output)	Max 192 (12 items per output)	-
ARTEMIO PROFILE	Max 8 (4 items per output)	Max 16 (4 items per output)	Max 32 (4 items per output)	Max 64 (4 items per output)	-
ARTEMIO FRESNEL	Max 8 (4 items per output)	Max 16 (4 items per output)	Max 32 (4 items per output)	Max 64 (4 items per output)	-
X SUN 3000K + RGB*	Max 8 (4 items per output)	Max 16 (4 items per output)	Max 32 (4 items per output)	Max 64 (4 items per output)	-
SUN DEEP	Max 8 (4 items per output)	Max 16 (4 items per output)	Max 32 (4 items per output)	Max 64 (4 items per output)	-
VICE R FC	Max 24 (12 items per output)	Max 48 (12 items per output)	Max 96 (12 items per output)	Max 192 (12 items per output)	-
VICE R DEEP WHITE	Max 24 (12 items per output)	Max 48 (12 items per output)	Max 96 (12 items per output)	Max 192 (12 items per output)	-
DONUT 18 FC	Max 1 (1 item each 2 outputs)	Max 2 (1 item each 2 outputs)	Max 4 (1 item each 2 outputs)	Max 8 (1 item each 2 outputs)	-
DONUT 12 FC	Max 2 (1 item per output)	Max 4 (1 item per output)	Max 8 (1 item per output)	Max 16 (1 item per output)	-
DONUT 6 FC	Max 4 (2 items per output connected in series)	Max 8 (2 items per output connected in series)	Max 16 (2 items per output connected in series)	Max 32 (2 items per output connected in series)	Max 8 (1 item per output)
HELIOS BRONZE 12 / HELIOS R BRONZE 12 FC	Max 2 (1 item per output)	Max 4 (1 item per output)	Max 8 (1 item per output)	Max 16 (1 item per output)	-
DIVE 1 / DIVE 1 R FC	-	-	-	-	Max 48 (6 items per output)
DIVE 3 / DIVE 3 R FC	-	-	-	-	Max 16 (2 items per output)
DIVE 6 / DIVE 6 R FC	-	-	-	-	Max 8 (1 item per output)
DIVE 12 / DIVE 12 R FC	-	-	-	-	-

* X SUN: For the RGB LED Strip a Drivenet 246V Din needs.

	DRIVENET 1664 24Vdc	DRIVENET 416 POWER	DRIVENET 832 POWER	DRIVENET 832 POWER 24Vdc
BRICK ARC	-	Max 4 (1 item per output)	Max 8 (1 item per output)	-
MINI BRICK ARC	-	-	-	-
FOS 100 POWER FC	-	Max 4 (1 item per output)	Max 8 (1 item per output)	-
FOS 100 FC	-	-	-	-
FOS 100 WHITE 36	-	-	-	-
FOS 33 FC	-	-	-	-
FOS 33 WHITE 12	-	-	-	-
FREELINE 90 FC	-	-	-	-
FREELINE 60 FC	-	-	-	-
FREELINE 30 END FC	-	-	-	-
HELIOS R FC	-	-	-	-
EOS 6 / EOS 6 R FC	-	-	-	-
NIKI TIN 26 WHITE	-	-	-	-
NIKI TIN 26 FC	-	-	-	-
FOCUS / FOCUS R FC				
FOCUS POWER	-	-	-	-
FOCUS PINSPOOT 3000K	-	-	-	-
TERRA WHITE	-	-	-	-
TERRA FC	-	-	-	-
SAV WHITE	-	-	-	-
SAV FC	-	-	-	-
MINIFOCUS / MINIFOCUS R FC	-	-	-	-
MICROFOCUS R	-	-	-	-
MICROFOCUS R MARKER 120	-	-	-	-
PIXEL DROP	-	-	-	-
MINIPIXEL DROP	-	-	-	-
ARTEMIO PROFILE	-	-	-	-
ARTEMIO FRESNEL	-	-	-	-
X SUN 3000K + RGB*	-	-	-	-
SUN DEEP	-	-	-	-
VICE R FC	-	-	-	-
VICE R DEEP WHITE	-	-	-	-
DONUT 18 FC	-	-	-	-
DONUT 12 FC	-	-	-	-
DONUT 6 FC	Max 16 (1 item per output)	-	-	-
HELIOS BRONZE 12 / HELIOS R BRONZE 12 FC	-	-	-	-
DIVE 1 / DIVE 1 R FC	Max 96 (6 items per output)	-	-	-
DIVE 3 / DIVE 3 R FC	Max 32 (2 items per output)	-	-	-
DIVE 6 / DIVE 6 R FC	Max 16 (1 item per output)	-	-	-
DIVE 12 / DIVE 12 R FC	-	-	-	Max 8 (1 item per output)