



# DRIVENET 28 EZ

## 8-CHANNEL LED POWER SUPPLY / CONTROLLER

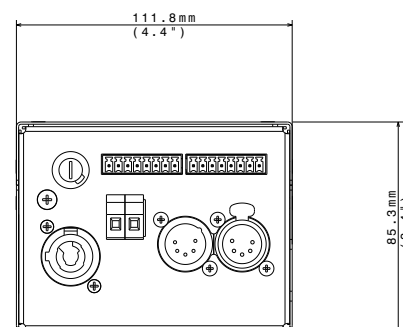
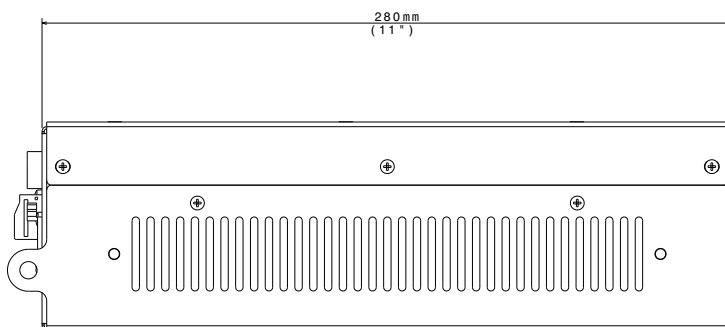
DRIVENET 28 EZ is a 8-channel power supply wall or truss mountable, 100-240 Vac 50-60 Hz. the unit is the most compact Drivenet in its range that can control most of the DTS LED projectors or any other current-driven LED projector matching the unit output specifications. Drivenet 28 EZ is fitted without fan to assure the minimum noise to respect the most demanding applications where silent operation is required.

DRIVENET 28 EZ features

- Unit controlled via RDM/DMX512 or DALI protocols
- Updatable operating software
- Two brackets for wall or truss mounting are included (single bracket code 02M029206.49)



### DRIVENET 28 EZ



<b>Input voltage/frequency range</b>	100-240Vac 50-60Hz
<b>Power Factor</b>	PF >0.94
<b>Output channels</b>	8 (4 channels x 2 groups)
<b>Output voltage</b>	48Vdc
<b>Output current</b>	700mA Max (per channel)
<b>Max power</b>	300W
<b>Max projectors distance</b>	100 m*
<b>Output connections</b>	Screw terminal connectors
<b>Mains connections</b>	PowerCON male panel connector
<b>DMX connections</b>	XLR 5-pole In/Out panel connectors
<b>Display</b>	4-digit 7-segment LED display
<b>DMX</b>	•
<b>RDM</b>	•
<b>DALI</b>	•
<b>Operating temperature</b>	-10° / 40° C
<b>Rack units</b>	< 2U
<b>Protection rating</b>	IP20
<b>Weight</b>	2 Kg
<b>Carton box weight</b>	-
<b>Carton box dimensions (LxHxD)</b>	-

\* Max projectors distance for FOS 100 and HELIOS R fixtures must be 50 m

## CONNECTIONS CHART

<b>MINI BRICK ARC</b>	Max 2 (1 item per output)	<b>PIXEL DROP</b>	Max 8 (4 items per output)
<b>FOS 100 FC</b>	Max 2 (1 item per output)	<b>MINIPIXEL DROP</b>	Max 24 (12 items per output)
<b>FOS 100 WHITE 36</b>	Max 2 (1 item per output)	<b>ARTEMIO PROFILE</b>	Max 8 (4 items per output)
<b>FOS 33 FC</b>	Max 6 (3 items per output)	<b>ARTEMIO FRESNEL</b>	Max 8 (4 items per output)
<b>FOS 33 WHITE 12</b>	Max 8 (4 items per output)	<b>X SUN 3000K + RGB</b>	Max 8 (4 items per output) - For the RGB LED strip a Drivenet 246V DIN needs
<b>FREELINE 90 FC</b>	Max 2 (1 item per output)	<b>SUN DEEP</b>	Max 8 (4 items per output)
<b>FREELINE 60 FC</b>	Max 2 (1 item per output)	<b>VICE R FC</b>	Max 24 (12 items per output)
<b>FREELINE 30 END FC</b>	Max 6 (3 items per output)	<b>VICE R DEEP FC</b>	Max 24 (12 items per output)
<b>HELIOS R FC</b>	Max 2 (1 item per output)	<b>DONUT 18 FC</b>	Max 1 (1 item each 2 outputs)
<b>EOS 6 / EOS 6 R FC</b>	Max 4 (2 items per output)	<b>DONUT 12 FC</b>	Max 2 (1 item per output)
<b>NIKI TIN 26 WHITE</b>	Max 8 (4 items per output)	<b>DONUT 6 FC</b>	Max 4 (2 items per output connected in series)
<b>NIKI TIN 26 FC</b>	Max 6 (3 items per output)	<b>HELIOS BRONZE 12 / HELIOS R BRONZE 12 FC</b>	Max 2 (1 item per output)
<b>FOCUS / FOCUS R FC</b>	Max 8 (4 items per output)		
<b>FOCUS POWER</b>	Max 24 (12 items per output)		
<b>FOCUS PINSPOUT 3000K</b>	Max 96 (48 items per output)		
<b>TERRA WHITE</b>	Max 24 (12 items per output)		
<b>TERRA FC</b>	Max 24 (12 items per output)		
<b>SAV WHITE</b>	Max 24 (12 items per output)		
<b>SAV FC</b>	Max 24 (12 items per output)		
<b>MINIFOCUS / MINIFOCUS R FC</b>	Max 24 (12 items per output)		
<b>MICROFOCUS R</b>	Max 96 (48 items per output)		