

# FOCUS PINSPOT



User's Manual rel 1.0 **GB**

D.T.S. Illuminazione s.r.l. - ITALY  
<http://www.dts-lighting.it>



**DESIGNED TO SHINE**

**Made in Italy**

Le informazioni contenute in questo documento sono state attentamente redatte e controllate. Tuttavia non è assunta alcuna responsabilità per eventuali inesattezze. Tutti i diritti sono riservati e questo documento non può essere copiato, fotocopiato, riprodotto per intero o in parte senza previo consenso scritto della D.T.S .

D.T.S si riserva il diritto di apportare senza preavviso cambiamenti e modifiche estetiche , funzionali o di design a ciascun proprio prodotto. D.T.S non assume alcuna responsabilità sull'uso o sull'applicazione dei prodotti o dei circuiti descritti.

The information contained in this publication has been carefully prepared and checked. However, no responsibility will be taken for any errors. All rights are reserved and this document cannot be copied, photocopied or reproduced, in part or completely, without prior written consent from D.T.S. D.T.S. reserves the right to make any aesthetic, functional or design modifications to any of its products without prior notice. D.T.S. assumes no responsibility for the use or application of the products or circuits described herein.

Les informations contenues dans le présent manuel ont été rédigées et contrôlées avec le plus grand soin. Nous déclinons toutefois toute responsabilité en cas d'éventuelles inexactitudes. Tous droits réservés. Ce document ne peut être copié, photocopié ou reproduit, dans sa totalité ou partiellement, sans le consentement préalable de D.T.S.

D.T.S. se réserve le droit d'apporter toutes modifications et améliorations esthétiques, fonctionnelles ou de design, sans préavis, à chacun de ses produits. D.T.S. décline toute responsabilité sur l'utilisation ou sur l'application des produits ou des circuits décrits.

Las informaciones contenidas en este documento han sido cuidadosamente redactadas y controladas. Con todo, no se asume ninguna responsabilidad por eventuales inexactitudes. Todos los derechos han sido reservados y este documento no puede ser copiado, fotocopiado o reproducido, total o parcialmente, sin previa autorización escrita de D.T.S.

D.T.S. se reserva el derecho a aportar sin previo aviso cambios y modificaciones de carácter estético, funcional o de diseño a cada producto suyo. D.T.S. no se asume responsabilidad de ningún tipo sobre la utilización o sobre la aplicación de los productos o de los circuitos descritos.

## **Technical specifications**

### **D.T.S. Product Codes:**

03.LCB010E20WA18	FOCUS PINSPOT 2700K Glitter finish
03.LCB010E20WB18	FOCUS PINSPOT 3000K Glitter finish
03.LCB010E20WE18	FOCUS PINSPOT 4000K Glitter finish
03.LCB010E20WG18	FOCUS PINSPOT 5600K Glitter finish

### **LED technology**

Single WHITE 2700K LED (also available with colour temperature 3000K, 4000K or 5600K)

270 Lumens

LEDs average lifespan: 75.000 hours (70% lumen output)

### **Optical group**

Ultra-Narrow lens (4°)

### **Control**

DMX 512 / RDM or Art-Net via DRIVENET Series

### **Protection**

IP 65

### **Construction**

FOCUS PINSPOT is made on aluminium, fitted with a mounting bracket

### **Power supply**

DRIVENET 832 Screw terminals PSU

DRIVENET 416 Screw terminals PSU

Z1 PLUS IP20 PSU

Full-range 100-240Vac 50-60Hz

### **Power consumption**

Max 2W @ 700mA

### **Connections**

2 x 0,75 sq mm cable (1 m length)

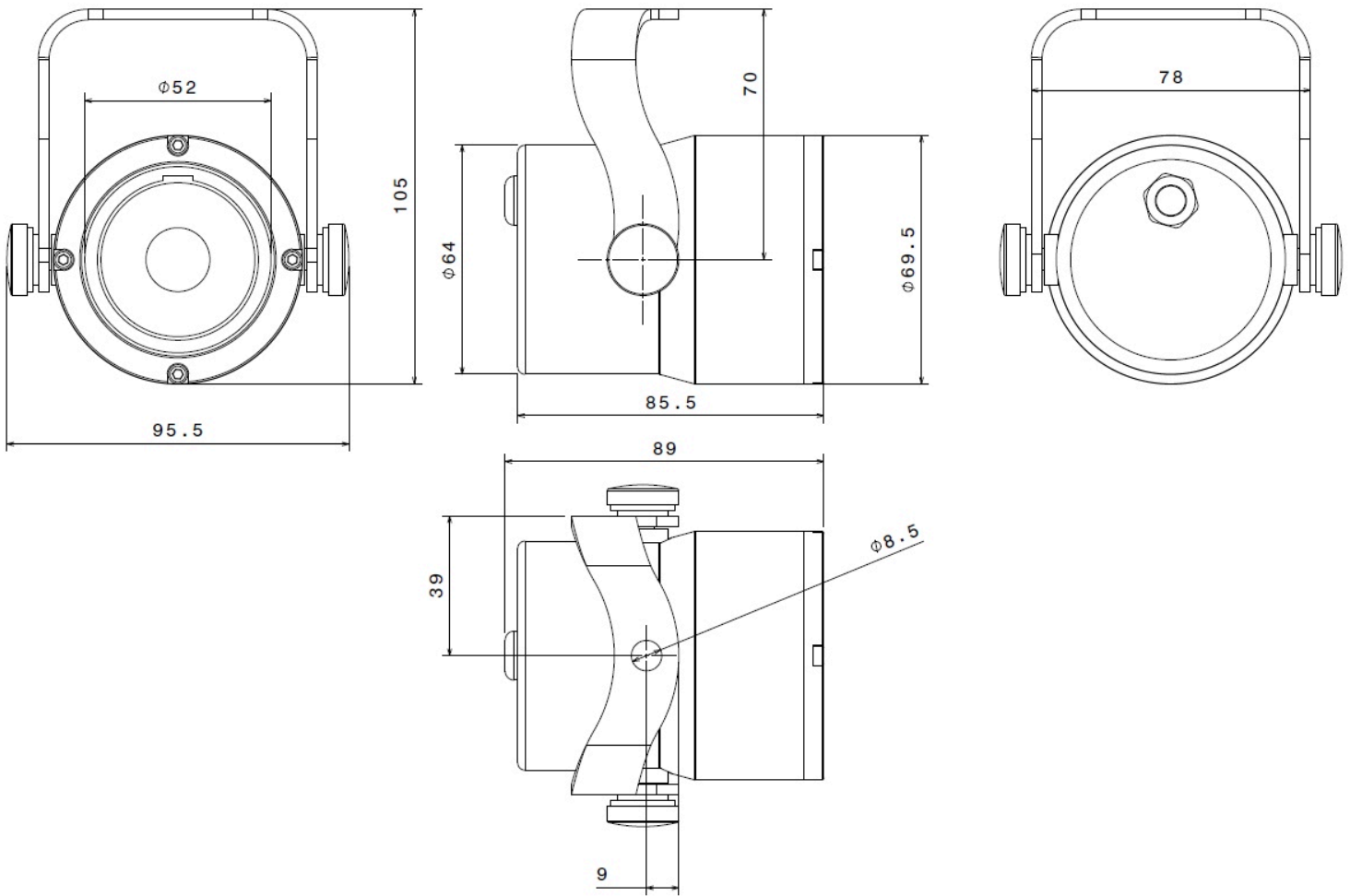
### **Operating ambient temperature**

-10° / 40°

### **Weight**

0,94 Kg

## Dimensions



## ACCESSORIES

- DRIVENET 832 Screw terminals PSU (DTS code 03.LA.177)
- DRIVENET 416 Screw terminals PSU (DTS code 03.LA.196)
- Z1 PLUS IP20 LED Controller (DTS Code 03.LA.009P)

## IMPORTANT SAFETY INFORMATION

### **Fire prevention:**

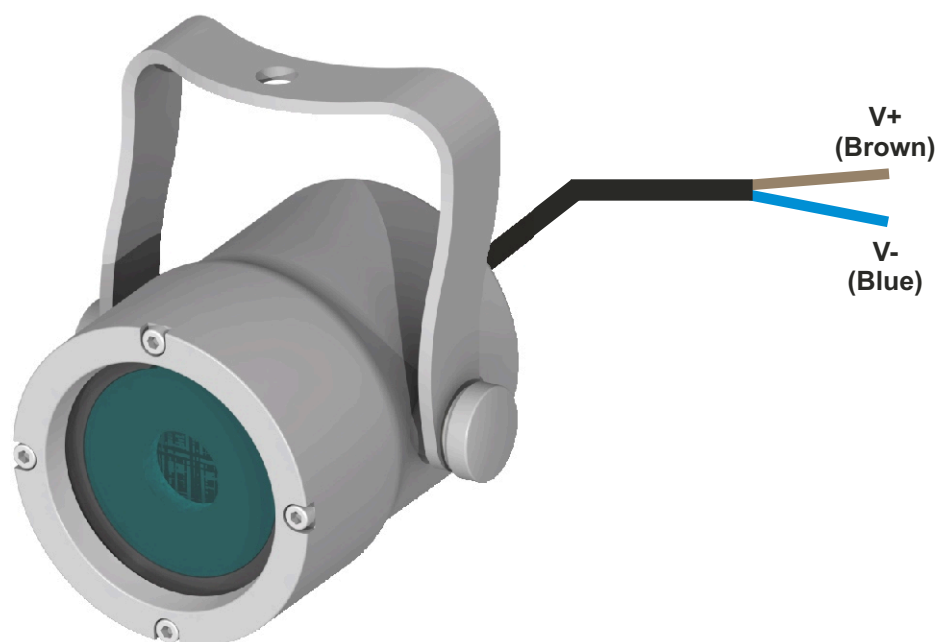
It is permissible to place the unit on normally flammable surfaces.  
Suitable for mounting on normally flammable materials surfaces greater than 200°C with some combustion time lag.

### **Safety:**

The external surface of the unit may exceed 50°C, never handle the unit until at least 5 minutes have elapsed since the unit was turned off.  
Never install the unit in an enclosed area lacking sufficient air flow.  
The ambient temperature should not exceed 40°C and should not be lower than -10°C.

## CONNECTIONS

FOCUS PINSPOT is provided with a 2 x 0,75 sq mm (1 m length).



The maximum distance between DRIVENET Series PSU or Z1 PLUS PSU and the unit should not exceed 100 meters.

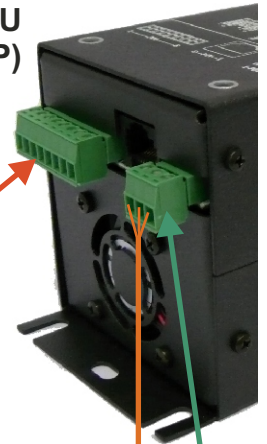
# WIRING DIAGRAMS

The maximum number of FOCUS PINSPOT connectable to each output channel of Z1 PLUS PSU is 12 pcs serial wired.

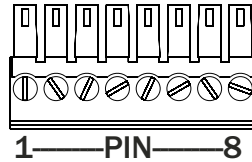
The maximum distance between Z1 PLUS PSU and the unit should not exceed 100 meters.

Never connect or disconnect the unit when the PSU is turned on.

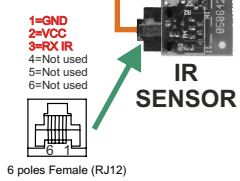
Z1 PLUS IP20 PSU  
(Code 03.LA.009P)



8 poles screw terminals

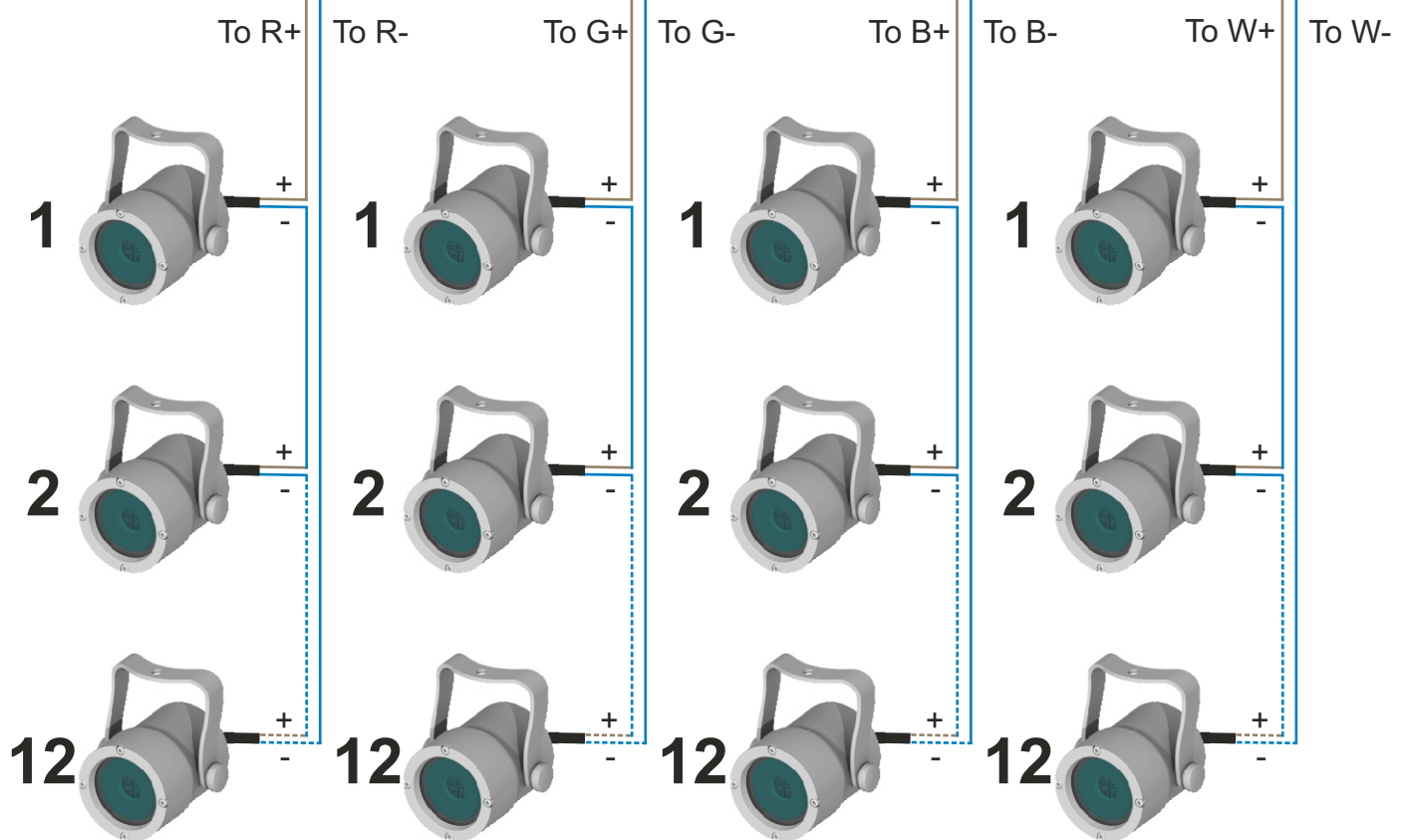
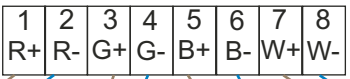


3 poles plug-in screw connector



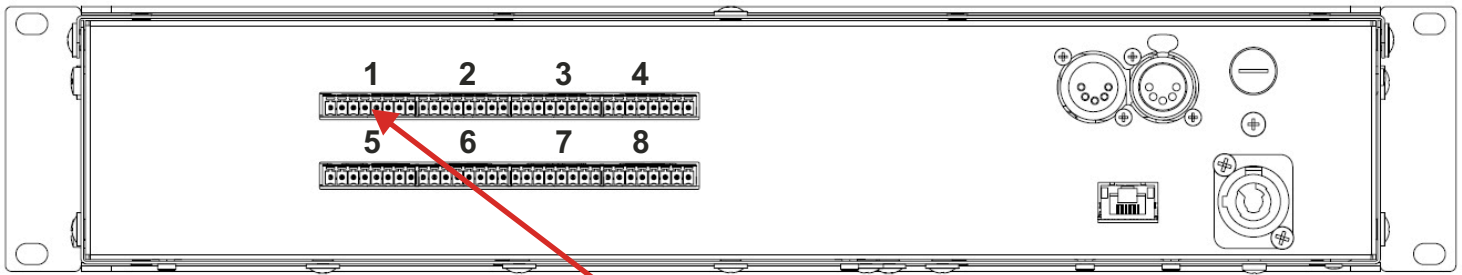
IR SENSOR

LEDs output

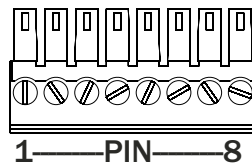


## WIRING DIAGRAMS

### DRIVENET 832 Screw terminals PSU (Code 03.LA.177)



8 poles screw terminals

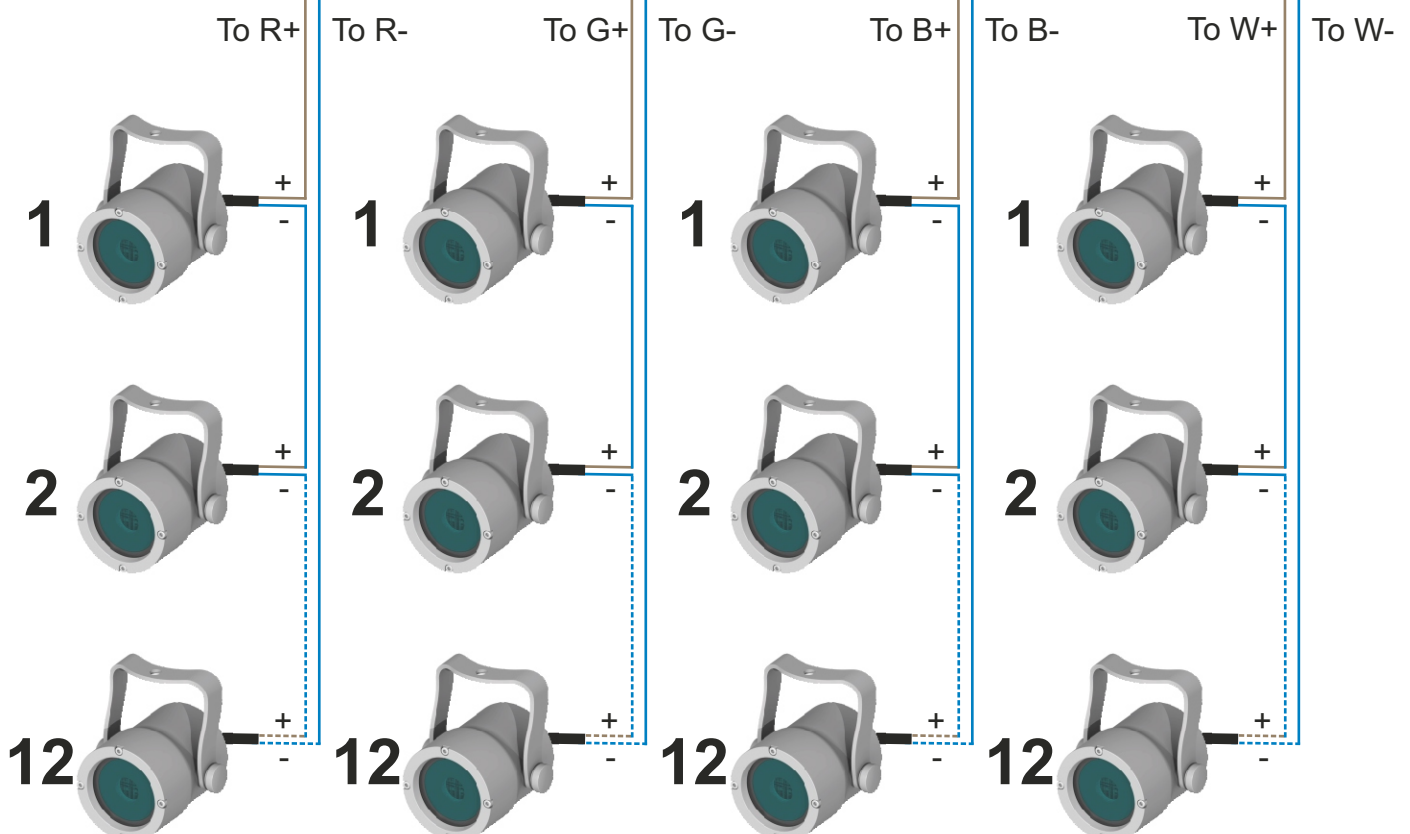
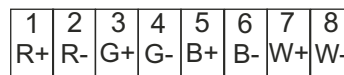


The maximum number of FOCUS PINSPOT connectable to each output channel of DRIVENET 832 PSU is 12 pcs serial wired.

The maximum distance between DRIVENET 832 PSU and the unit should not exceed 100 meters.

Never connect or disconnect the unit when the PSU is turned on.

LEDs output



The information contained in this publication has been carefully prepared and checked. However, no responsibility will be taken for any errors. All rights are reserved and this document cannot be copied, photocopied or reproduced, in part or completely, without prior written consent from DTS.

DTS reserves the right to make any aesthetic, functional or design modifications to any of its products without prior notice. DTS assumes no responsibility for the use or application of the products or circuits described herein.

**MADE IN ITALY**



**DESIGNED TO SHINE**

**ISO 9001:2008**

DTS quality system  
is certified to the  
ISO 9001:2008 standard



DTS products are designed  
and manufactured at the  
DTS plants in Italy



05171252