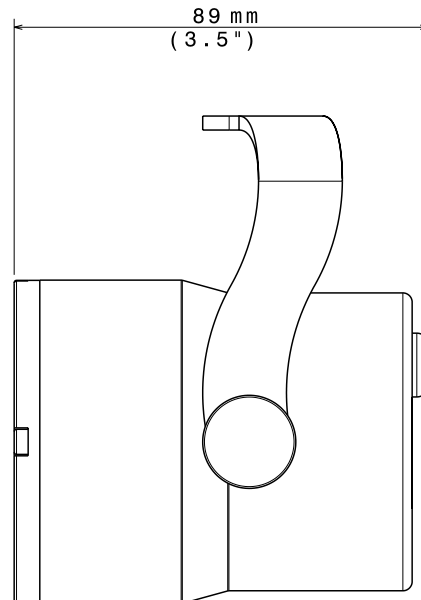
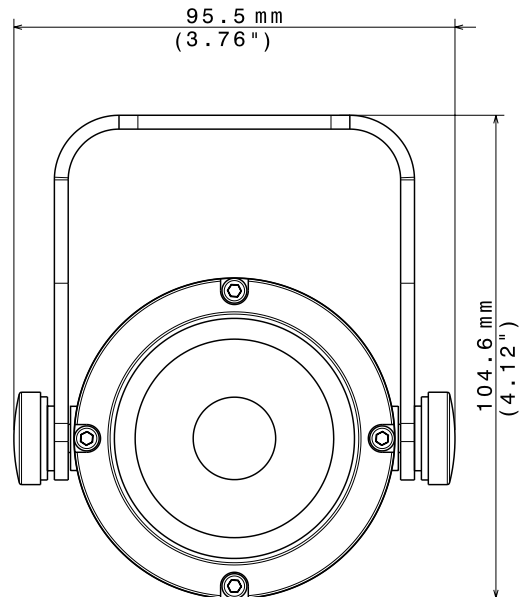




FOCUS PINSPOT

**SUPER-COMPACT LIGHT WITH
A POWERFUL ULTRA-NARROW BEAM**

FOCUS PINSPOT is a very compact **IP65 LED projector** fitted with one high-power white LED coupled with an ultra-narrow 4° lens and with **orientable bracket**. This unique layout makes the unit particularly **suitable for applications requiring a compact and unobtrusive projector** capable to deliver a long-throw extra-bright beam of light. FOCUS PINSPOT must be powered by external PSUs as the DTS DRIVENET series.



03.LCB010E20WA18

OUTPUT

- Single White 3000K LED
- CRI > 80
- Lumens: 203 @ 700mA
- Also available with 2700K, 4000K and 5600K LED
- LED lifespan: 50,000 hours (70% lumen output)

OPTICAL GROUP

Ultra-Narrow lens 4°

POWER SUPPLY

- External PSU:
 - _ DRIVENET 28C DIN @48Vdc
 - _ DRIVENET 28 EZ / 416 (Full-range 100-240Vac 50-60 Hz)
 - _ DRIVENET 832 (Full-range 100-240Vac 50-60 Hz)
 - _ DRIVENET 1664 (range 180-240Vac 50-60 Hz)
 - _ Constant current PSU 700mA max (Full-range 100-240Vac 50-60 Hz)

- Power consumption: 2 W max

CONNECTIONS

End-stripped 2-pole cable (90 cm)

OPERATING TEMPERATURE

-10° / 40° C

PHYSICAL

- IP65
- Housing: Aluminium
- Weight: 0.9 Kg (1.98 lbs)
- Finishing: Grey glitter

SHIPPING

- Packaging: Carton box
- Box size: 220 x 170 x 160 mm (8.7" x 6.7" x 6.3")
- Box weight: 1.3 Kg (2.86 lbs)

CONNECTIONS CHART

DRIVENET 28C DIN @ 48Vdc	DRIVENET 28 EZ	DRIVENET 416	DRIVENET 832	DRIVENET 1664
Max 96 (48 items per output)	Max 96 (48 items per output)	Max 192 (48 items per output)	Max 384 (48 items per output)	Max 768 (48 items per output)

ACCESSORIES ON REQUEST

- G30 "C" Clamp (code 0521A020)
- HUB-IP20 Screw terminals 1 IN / 3 OUT (code 03.LA.131)
- HUB-IP56 Screw terminals 1 IN / 3 OUT (code 03.LA.131.IP56)
- Constant current PSU 700mA 9-48Vdc *IP67 (code 0502T031)
- Constant current PSU 500-1400mA 60W *Push Dimming *DALI *230Vac (code 0514M240)
- Constant current PSU 500-1400mA 60W *Push Dimming *DALI *100Vac (code 0514M241)
- Power supply filter - used with constant current PSU 1 pcs each output (code 0514M125)

PHOTOMETRIC DATA

LEDs current 700mA

	2700K / 3000K / 4000K	mt 1 ft 3.28	mt 2 ft 6.56	mt 3 ft 9.84	mt 4 ft 13.12	mt 5 ft 16.40
BEAM ANGLE 4°						
lux center (lx)	9450	2363	1050	591	378	
foot candles (fc)	878	220	98	55	35	
diameter (cm)	7	14	21	28	35	
diameter (ft)	0.23	0.46	0.69	0.92	1.15	
	5600K	mt 1 ft 3.28	mt 2 ft 6.56	mt 3 ft 9.84	mt 4 ft 13.12	mt 5 ft 16.40
BEAM ANGLE 4°						
lux center (lx)	14940	3735	1660	934	598	
foot candles (fc)	1388	347	154	87	56	
diameter (cm)	7	14	21	28	35	
diameter (ft)	0.23	0.46	0.69	0.92	1.15	