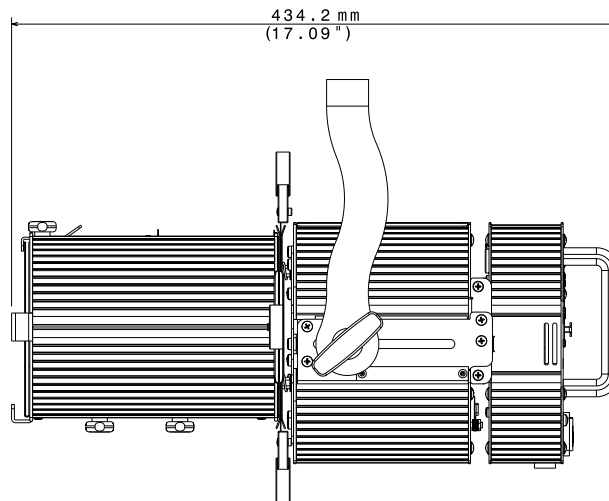
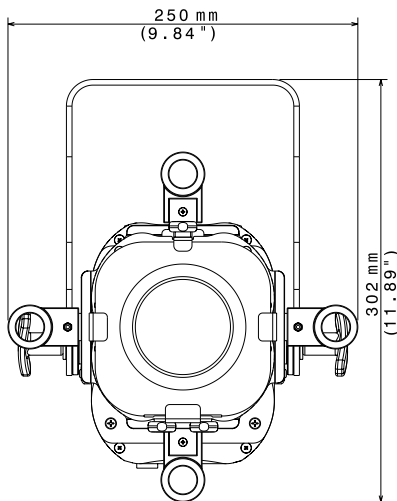




# PROFILO LED 80 FC

## THE CUTTING-EDGE REPLACEMENT OF THE CONVENTIONAL 1000 W PROFILERS WITH COLOR MIXING

PROFILO LED 80 FC is a LED-based profile spot contained in a strong and lightweight housing. The unit features an **internal four-shutter shaping system**, and a **20° to 36° linear zoom**. The unit is equipped with a **high efficiency 80 W Full Color LED source**, and it can create over 16 million colors. PROFILO LED 80 FC is suitable for small to medium TV studios, theatres or museums and it is a versatile alternative to conventional lights. Thanks to a dedicated kit is possible to instal the fixture on electrified rails.



LED	FC Full Color	built-in PSU	IP20	RDM/DMX	°C -10° +40°
-----	------------------	--------------	------	---------	-----------------



03.TP020.46

## OUTPUT

- Single high-power Full Color (RGBW) LED
- LED lifespan: 50,000 hours (70% lumen output)

## OPTICAL GROUP

- 20° - 36° linear zoom
- High definition zoom lens with double optical condenser lens

## COLOR GENERATION

- 16 million colors
- Wide palette of pure uniform whites with variable linear color temperature (2700K - 8000K)

## GOBOS

- Gobo type M
- Ø external: 66 mm
- Ø of image: 48 mm
- Thickness: from 0,2 to 3 mm

## CONTROL

- DMX 512 / RDM
- 10 DMX channels (default)
- 4-digit 7-segment LED display + 4 soft keys
- Internal operating system updatable via DTS dongle firmware uploader

## POWER SUPPLY

- Full-range 100-240Vac 50-60 Hz

- Power consumption: 100 W max
- Power Factor: PF > 0.95

## CONNECTIONS

- Power supply: PowerCON In/Out panel connectors
- DMX: XLR 5-pole In/Out panel connectors

## INTERNAL SAFETY DEVICES

Overvoltage and overtemperature circuits protection

## OPERATING TEMPERATURE

-10° / 40° C

## PHYSICAL

- IP20
- Internal system with four removable shutters
- Yoke featuring an exclusive round flange + clutch system
- Weight: 5.8 Kg (12.8 lbs)
- Finishing: Black

## SHIPPING

- Packaging: Carton box
- Box size (LxHxD): 270 x 500 x 270 mm (10.6" x 19.7" x 10.6")
- Weight: 6.8 Kg (15 lbs)

## ACCESSORIES INCLUDED

- 1 x PowerCON female cable connector (code 0520P014)
- 1 x XLR 5 pins male cable connector (code 0508B028)
- 1 x XLR 5 pins female cable connector (code 0508B027)
- 1 x Filterframe - Black finish - already mounted on the unit (code 02M00426.46)
- 4 x Shutter blades (single blade code 02SK0335)

## ACCESSORIES ON REQUEST

- "C" Clamp G50 - max. Load. 10 Kg - Black finish (code 0521A012)
  - "C" Clamp G60 - max. Load. 50 Kg - Black finish (code 0521A004)
  - Safety cable - 0.3x60 cm - max. capacity load 60 Kg (code 0521A010)
  - Gobo holder (code 03.TA224)
  - Iris/diaphragm (code 03.TA223)
  - DTS dongle firmware uploader (code 03.LA.206)
- ## ACCESSORIES FOR ELECTRIFIED RAIL MOUNTING
- Track adapter - black finishing (code 03.LA.235)

## PHOTOMETRIC DATA

	mt 2 ft 6.56	mt 4 ft 13.12	mt 6 ft 19.68	mt 8 ft 26.25	mt 10 ft 32.81
<b>BEAM ANGLE 20°</b>					
lux center (lx)	5784	1446	643	362	231
foot candles (fc)	538	134	60	34	22
diameter (cm)	71	141	212	282	353
diameter (ft)	2.31	4.63	6.94	9.26	11.57
<b>BEAM ANGLE 36°</b>					
lux center (lx)	1592	398	177	100	64
foot candles (fc)	148	37	16	9	6
diameter (cm)	130	260	390	520	650
diameter (ft)	4.26	8.53	12.79	17.06	21.32