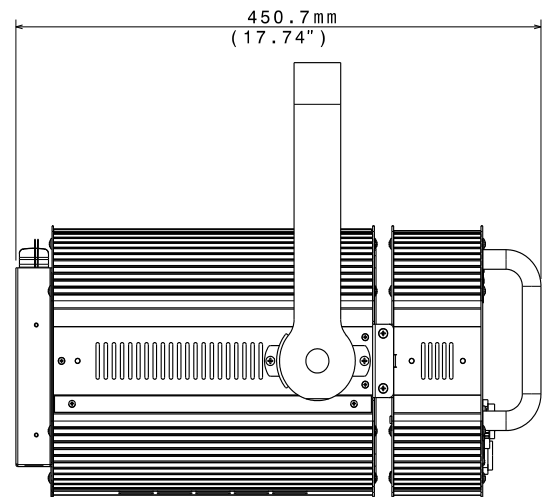
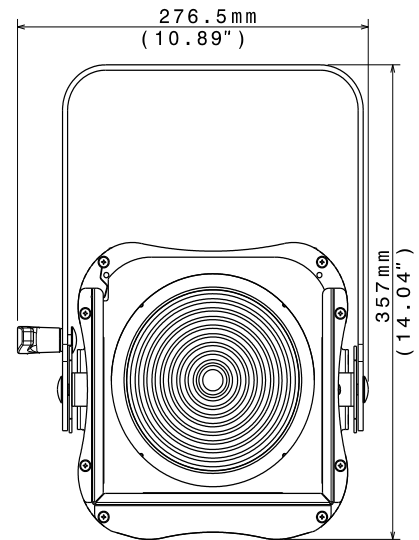




# SCENA LED 200 MZ FC

THE THEATRE LED PROJECTOR WITH  
COLOR MIXING AND MOTORIZED ZOOM

SCENA LED 200 MZ FC is a high power LED projector in a very compact and lightweight size. The unit is equipped with a **high efficiency 200 W RGBW LED source**, coupled with a **14° - 60° motorized linear zoom**. This layout makes the unit particularly suitable for theatres, TV studios, exhibitions, events and any application requiring **an endless palette of colors** and a DMX / RDM remote management of zoom, dimming and shutter functions.



03.TS055.46.F

### OUTPUT

- Single high-power Full Color (RGBW) LED
- LED lifespan: 50,000 hours (70% lumen output)

### OPTICAL GROUP

- Ø 150 mm Fresnel lens
- 14° - 60° motorized linear zoom

### COLOR GENERATION

- 28 Gel Filters Macros
- Wide palette of pure uniform whites with variable linear color temperature (2700K - 8000K)

### CONTROL

- DMX 512 / RDM or Manual control
- 12 DMX channels (default)
- 4-digit 7-segment LED display + 4 soft keys
- Internal operating system updatable via DTS dongle firmware uploader

### POWER SUPPLY

- Full-range 100-240Vac 50-60 Hz
- Power consumption: 200 W max
- Power Factor: PF >0.94

### CONNECTIONS

- Power supply: PowerCON TRUE1 In/Out panel connectors
- DMX: XLR 5-pole In/Out panel connectors

### INTERNAL SAFETY DEVICES

Overvoltage and overtemperature circuits protection

### OPERATING TEMPERATURE

-10° / 40° C

### PHYSICAL

- IP20
- Weight: 8.7 Kg (19.2 lbs)
- Finishing: Black

### SHIPPING

- Packaging: Carton box
- Box size (LxHxD): 575 x 280 x 345 mm (22.6" x 11" x 13.6")
- Weight: 10.7 Kg (23.6 lbs)

### ACCESSORIES INCLUDED

- 1 x PowerCON TRUE1 female cable connector (code 0520P066)
- 1 x XLR 5 pins female cable connector (code 0508B147)
- 1 x XLR 5 pins male cable connector (code 0508B148)
- 1 x Filterframe Black finishing - already installed on the projector (code 02M093278.46)

### ACCESSORIES ON REQUEST

- Barndoor Black finishing (code 03.TBD04)
- "C" Clamp G60 - max. Load 50 Kg (code 0521A004)
- Safety cable - 0.3x60 cm - max. capacity load 60 Kg (code 0521A010)
- DTS dongle firmware uploader (code 03.LA.206)

### PHOTOMETRIC DATA

	mt 2 ft 6.56	mt 4 ft 13.12	mt 6 ft 19.68	mt 8 ft 26.25	mt 10 ft 32.81
<b>BEAM ANGLE 14° @ 50%</b>					
lux center (lx)	15744	3936	1749	984	630
foot candles (fc)	1463	366	163	91	59
diameter (cm)	49	98	147	196	246
diameter (ft)	1.61	3.22	4.83	6.45	8.06
<b>BEAM ANGLE 60° @ 10%</b>					
lux center (lx)	4081	1020	453	255	163
foot candles (fc)	379	95	42	24	15
diameter (cm)	231	462	693	924	1155
diameter (ft)	7.58	15.15	22.73	30.31	37.88