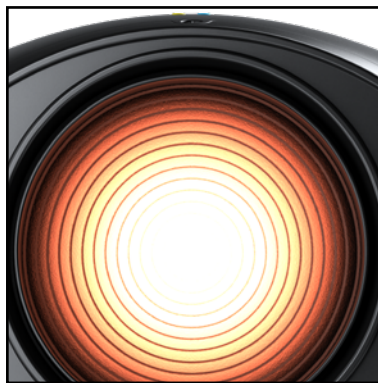
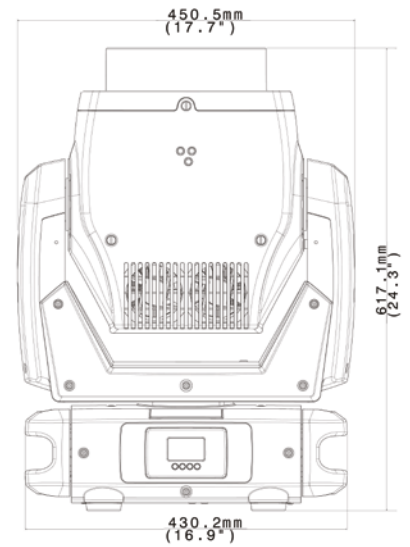
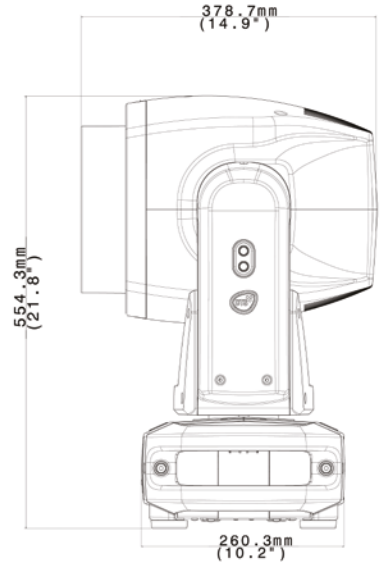




ALCHEMY 5

THE NEW-GENERATION LED WASH LIGHT, MADE FOR ANY TASKS WHERE COLOR PERFECTION IS PARAMOUNT



- LED
- HQS High Quality Spectrum
- IP20
- RDM/DMX
- Art-Net 4
- s-ACN
- EZ shell
- 10° +45°



03.MW009

OUTPUT

- Multi-chip LED source
- 10,800 Lumen output
- CRI: up to 98
- TLCI: up to 96
- LED lifespan: 20,000 hours (70% lumen output)

OPTICAL GROUP

- 10°- 47° linear zoom
- Ø 250 mm Fresnel lens
- Beam shaper (2x1 ratio) with endless rotation; indexable
- 2 frost filters (soft and heavy) insertable via DMX
- Retractable 'top hat'

COLOR & WHITE GENERATION

- 6-color LED engine
- Linear CCT (1800 K - 10000 K)
- Linear 'Green saturation'
- 100 gel filters emulation:
 - Linear balance from gel filters emulation to white
 - Linear balance between gel filters emulation

ACCESSORIES INCLUDED

- 1 x cable with PowerCON TRUE1 female connector (code 02K0012267.0015)
- 1 x Omega bracket with "Fast Lock" (code 02K00467)
- 1 x Alchemy 5 EZ-shell (0512K152.1)

- True color of gel filters emulation at any CCT values
- Color mixing by 6-color 'advanced' mode
- Deep blue and Deep red filters (DMX-selectable)

DIMMER

- Hi-Q Dimming technology
- Tungsten Emulation function

CONTROL

- LCD graphic display + 4 soft-keys; Auto-flip; Key-Lock function
- Art-Net 4, sACN, RDM/DMX 512 protocols
- 'Standard' and 'Silent' operation modes
- Noise level at Silent mode: 37dBA @ 1m (normal operation, full power)
- Internal operating system updatable via DTS dongle firmware uploader

- Li-Fe backup battery for controlling the display settings even when the unit is not powered

DMX

- 4 DMX modes:
 1. CCT (default)
 2. Advanced (raw)
 3. Basic
 4. Expo

PAN & TILT

- Pan 540° (3.8 sec)
- Tilt 220° (2.1 sec)
- 16-bit resolution
- Pan / Tilt lock

POWER SUPPLY

- Electronic full-range 100-277Vac 50-60 Hz
- Power consumption: 450 W max
- Power Factor: PF >0.90

CONNECTIONS

- Power supply: PowerCON TRUE1 In/Out panel connectors
- DMX: XLR 3-pole and 5-pole In/Out panel connectors
- Art-Net / sACN: etherCON RJ45 connector

INTERNAL SAFETY DEVICES

Overvoltage and overtemperature circuits protection

OPERATING TEMPERATURE

-10° / 45° C

PHYSICAL

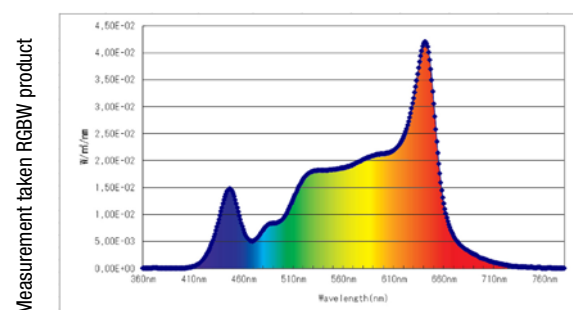
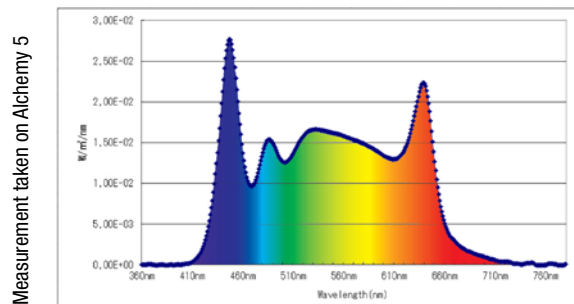
- IP20
- Weight: 26.5 Kg (58.0 lbs)
- Finishing: Black

ACCESSORIES ON REQUEST

- Aliscap clamp for tube diameter 50 mm (Max load 200 Kg) (code 0521A033)
- Professional Quick trigger clamp - Max load 100 Kg (code 0521A037)
- "C" Clamp G60 (Max load 50 Kg) (code 0521A004)
- Safety cable 3 x 600 mm (Max load 60 Kg) (code 0521A010)
- DTS Dongle firmware uploader (code 03.LA.206)



DTS' HQS (High Quality Spectrum) trademark certifies a product's **superior white light quality** and its ability to generate an **extended color palette** offering a wider gamut of **pastel shades** with rich warm nuances. A result achieved by a new **LED color generation** – compared to the standard RGBW – allowing a far more uniform distribution of energy along the visible light spectrum.



PHOTOMETRIC DATA

		3200 K	mt 5 ft 16.40	mt 10 ft 32.81	mt 15 ft 49.21	mt 20 ft 65.62	mt 25 ft 82.02
BEAM ANGLE 10° @ 50%	lux center (lx)	7000	1750	778	438	280	
	foot candles (fc)	651	163	72	41	26	
	diameter (cm)	87	175	262	350	437	
	diameter (ft)	3	6	9	11	14	

		4000 K	mt 5 ft 16.40	mt 10 ft 32.81	mt 15 ft 49.21	mt 20 ft 65.62	mt 25 ft 82.02
BEAM ANGLE 10° @ 50%	lux center (lx)	8875	2219	986	555	355	
	foot candles (fc)	825	206	92	52	33	
	diameter (cm)	87	175	262	350	437	
	diameter (ft)	3	6	9	11	14	

		5600 K	mt 5 ft 16.40	mt 10 ft 32.81	mt 15 ft 49.21	mt 20 ft 65.62	mt 25 ft 82.02
BEAM ANGLE 10° @ 50%	lux center (lx)	10100	2525	1122	631	404	
	foot candles (fc)	939	235	104	59	38	
	diameter (cm)	87	175	262	350	437	
	diameter (ft)	3	6	9	11	14	

		3200 K	mt 3 ft 16.40	mt 6 ft 32.81	mt 9 ft 49.21	mt 12 ft 65.62	mt 15 ft 82.02
BEAM ANGLE 47° @ 10%	lux center (lx)	1500	375	167	94	60	
	foot candles (fc)	139	35	15	9	6	
	diameter (cm)	435	870	1304	1739	2174	
	diameter (ft)	14	29	43	57	71	

		4000 K	mt 3 ft 16.40	mt 6 ft 32.81	mt 9 ft 49.21	mt 12 ft 65.62	mt 15 ft 82.02
BEAM ANGLE 47° @ 10%	lux center (lx)	1720	430	191	108	69	
	foot candles (fc)	160	40	18	10	6	
	diameter (cm)	435	870	1304	1739	2174	
	diameter (ft)	14	29	43	57	71	

		5600 K	mt 3 ft 16.40	mt 6 ft 32.81	mt 9 ft 49.21	mt 12 ft 65.62	mt 15 ft 82.02
BEAM ANGLE 47° @ 10%	lux center (lx)	1967	492	219	123	79	
	foot candles (fc)	183	46	20	11	7	
	diameter (cm)	435	870	1304	1739	2174	
	diameter (ft)	14	29	43	57	71	