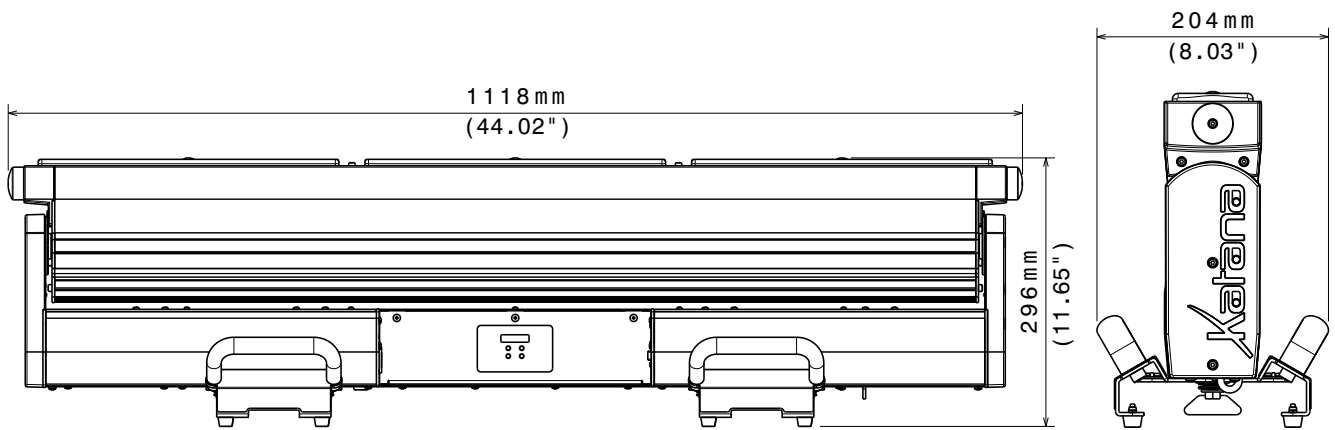




KATANA

THE BLADE OF LIGHT FEATURING WIDE LINEAR ZOOM, SINGLE PIXEL CONTROL AND FAST TILT

KATANA is the most advanced LED light ever designed for the entertainment market. KATANA introduces a brand **new type of light beam: the dynamic 'blade' projection**. Thanks to a **custom 3.5° - 30° linear zoom**, KATANA is capable to project an extra-bright blade of light that cuts through any show. **Single pixel control** lets you obtain stunning dynamic multicolor effects. And a **super-fast motorized tilt** adds a dynamic impact to your lighting performance.



03.LDR016.F

OUTPUT

- 12 x 20 W Full Color (RGBW) LEDs:
 - Pixel to pixel control
 - Lumens: 9,600

OPTICAL GROUP

- Linear motorized zoom 3.5° ('blade' mode) - 30°

COLOR GENERATION

- 16 million colors
- Wide palette of pure uniform whites with variable linear color temperature (2700K - 8000K)

TILT

- Motorized Tilt 184°
- 16-bit movement resolution

CONTROL

- Multi-function 4-digit 7-segment LED display + 4 soft keys
- Controlled via DMX 512 and RDM standard digital communication protocols
- Internal operating system updatable via DTS dongle firmware uploader

DMX

- 24 DMX channels (default), 64 DMX channels or 16 DMX channels

POWER SUPPLY

- Electronic full-range 100-240Vac 50/60 Hz;
- Power consumption: 300 W max

CONNECTIONS

- Power supply: PowerCON TRUE1 In/Out panel connectors
- DMX: XLR 5-pole In/Out panel connectors

INTERNAL SAFETY DEVICES

Overvoltage and overtemperature circuits protection

OPERATING TEMPERATURE

-10° / 40°C

PHYSICAL

- IP20
- Weight: 16 Kg (35.3 lbs)
- Finishing: Black

SHIPPING

- Packaging: Carton box
- Box size: 1160 x 260 x 360 mm (45.7" x 10.2" x 14.2")
- Box weight: 24 Kg (52.9 lbs)

ACCESSORIES INCLUDED

- 1 x PowerCON TRUE1 female cable connector (code 0520P066)
- 1 x PowerCON TRUE1 male cable connector (code 0520P067)
- 1 x XLR 5 pins female cable connector (code 0508B147)
- 1 x XLR 5 pins male cable connector (code 0508B148)
- 2 x Omega bracket with "Fast Lock" connection 1/4 turn (code 02K00467)
- 2 x Bracket for ground installation with handles and rubber feet - already mounted on the unit (code 02SK0296)
- 1 x Fit joint for joining bars inline (code 02M09519.46)
- 2 x M4 knob for fit joint (code 0511P014)

ACCESSORIES ON REQUEST

- Flightcase for 3 units (code 0521C066)
- G60 "C" Clamp black - max. load 50 Kg (code 0521A004)
- Aliscaf clamp for tube diameter 50 mm - max. load 200 Kg (code 0521A033)
- G-QUICK clamp Professional - max. load 100 Kg (code 0521A037)
- Safety cable - 0.3x60 cm - max. capacity load 60 Kg (code 0521A010)
- DTS dongle firmware uploader (code 03.LA.206)

PHOTOMETRIC DATA

		mt 5 ft 16.40	mt 10 ft 32.81	mt 15 ft 49.21	mt 20 ft 65.62	mt 25 ft 82.02		
BEAM ANGLE 3.5°	MINIMUM ZOOM							
	FULL RGBW	lux center (lx)	6800	1700	756	425	272	
		foot candles (fc)	632	158	70	39	25	
	X-axis	diameter (cm)	25	51	76	101	127	
		diameter (ft)	0,83	1,66	2,49	3,32	4,25	
	Y-axis	diameter (cm)	31	61	92	122	153	
		diameter (ft)	1.00	2.00	3.01	4.01	5.01	
	BEAM ANGLE 30°	MAXIMUM ZOOM						
		FULL RGBW	lux center (lx)	1650	413	183	103	66
			foot candles (fc)	153	38	17	10	6
X-axis		diameter (cm)	222	443	665	887	1108	
		diameter (ft)	7,27	14,55	21,82	29,09	36,37	
Y-axis		diameter (cm)	268	536	804	1072	1340	
		diameter (ft)	8.79	17.58	26.37	35.16	43.95	