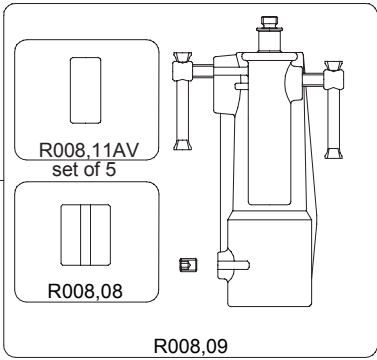
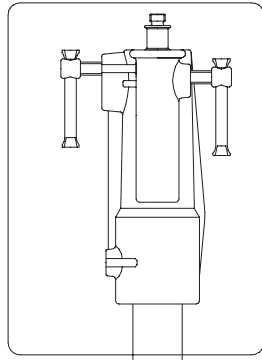
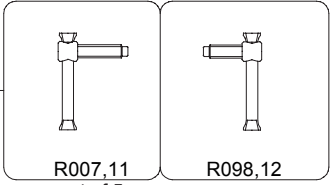


2005-09-30



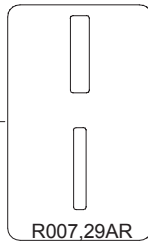
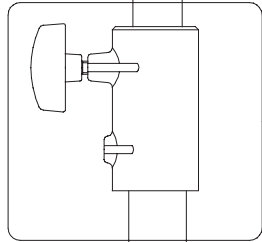
R008,09



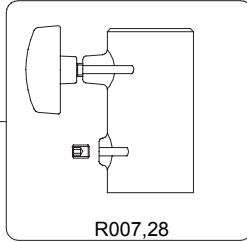
R007,11  
set of 5

R098,12  
set of 5

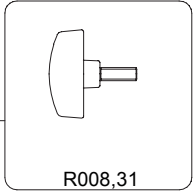
R007,21CHB



R007,29AR

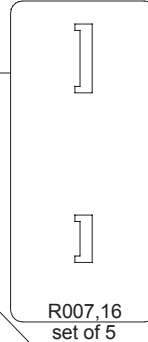
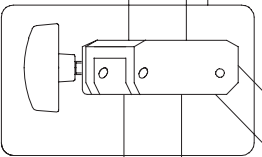


R007,28

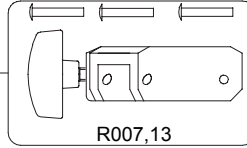


R008,31

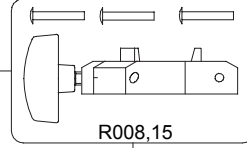
R007,01B



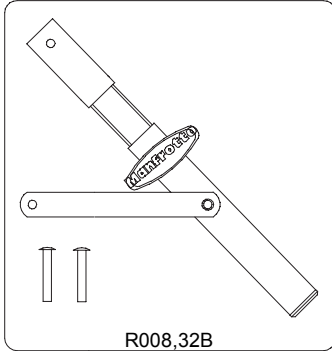
R007,16  
set of 5



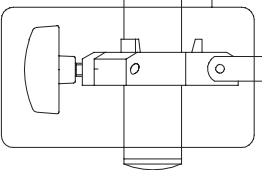
R007,13



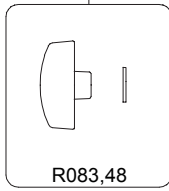
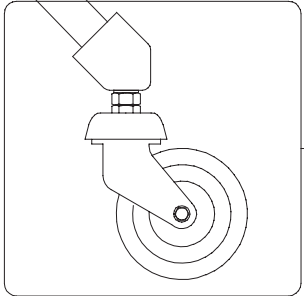
R008,15



R008,32B

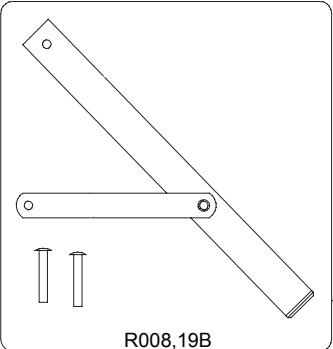


R007,12  
set of 5

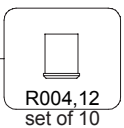


R083,48

FOR WHEELS  
SPARE LIST  
SEE DRAWING:  
ART. 109



R008,19B



R004,12  
set of 10