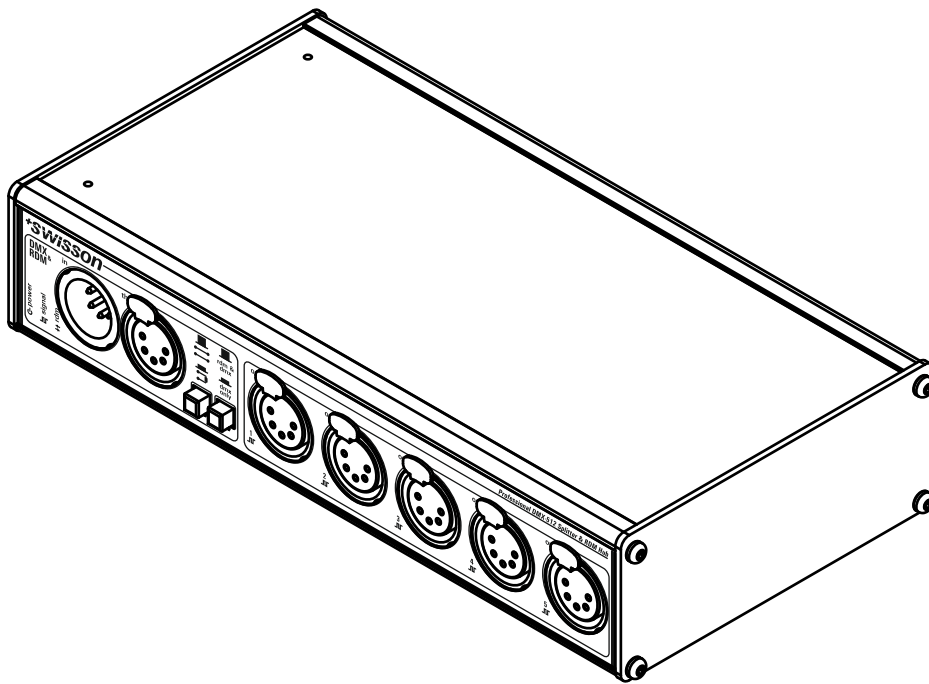


XSR and XSP

Pinouts of Signal Ports



Index

Index.....	3
Introduction	4
Pinouts	4

Introduction

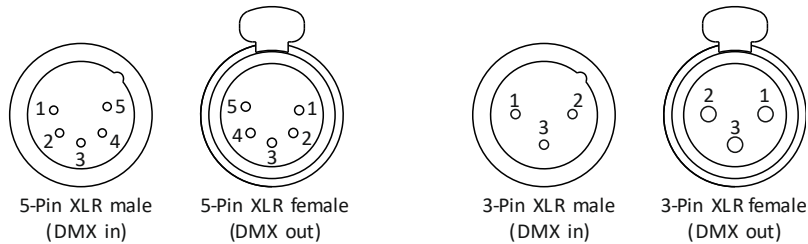
XSP and XSR models are available not only with 3-pin and 5-pin signal ports but also with pluggable terminals and some XSR models come with RJ45 sockets. For some of those connectors, a predominant standard does not exist. Therefore, this document aims to give a quick overview of the pinouts used with the various XSP and XSR models.

Pinouts

XLR Connectors

All XSP and XSR models use the pinout according to the DMX standard ANSI E1.11 for XLR ports.

Pin	Connection
1	Com
2	Data -
3	Data +
4	Not connected
5	Not connected



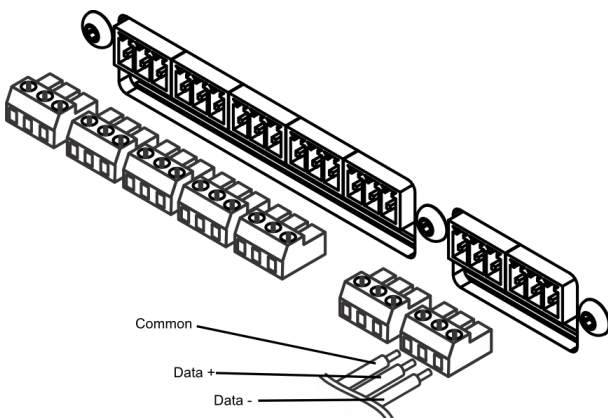
RJ45 Connectors

RJ45 connectors are available on the following models: XSR-8B, XSR-8R and XSR-8R-8R. The pinout is given in the table below.

Pin	Connection
1	Data +
2	Data -
3	Not connected
4	Not connected
5	Not connected
6	Not connected
7	Com
8	Not Connected
Shield	Earth

Pluggable Terminals (Terminal Models)

The following terminal models are currently available: XSP-TR5, XSP-TR5-TR5, XSR-TR5, XSR-TR5-TR5. All terminal models are rack mountable and shipped with the terminal blocks. Those can accept wires up to AWG 17 (ca. 1mm²). The terminals are located on the rear of the device. The pinout is as shown in the drawing.



Installation Models

The following picture shows the pinout of the pluggable terminals on the installation models XSP-IB5-W and XSR-IB5-W.

