



## **XLED 3019**

**PR-8127**

Containing 19x20W LEDs(RGBW 4 in 1), this unit is able to offer a variable beam ranging from 7° to 42° and beautiful wash field, making it ideal for all applications where perfection is required.

### **Key Features:**

- Voltages: 100-240VAC, 50/60Hz
- Power consumption: 400W@220V
- 19x20W LEDs(RGBW, 4 in 1)
- Colors: RGBW color mixing with macro
- Rainbow effects
- Color temperature: 2700K~10000K linearly adjustable
- Dimmer: 0-100% linearly adjustable
- Strobe: electronic strobe 0-25 F.P.S, pulse and random strobe effects
- Zoom: motorized zooming linearly adjustable
- Beam angle: 7°~42°
- Channels: 12 channels in standard mode, 20 channels in extended mode
- Head movement: Pan 540° and Tilt 270° with auto-position correction
- Others: Wireless DMX and RDM control protocol, preset memory and user programs.
- Net weight: Only 13 Kg

### **Technical Data:**

**Power Supply:** 100V~240V AC, 50/60Hz

**Power Consumption:** 400W@220V

#### **Light Source:**

Model LED Engine (LZ4-04MDCA)

Quantity 19pcs

Manufacturers Rated LED Life 50000 Hours

#### **Color System:**

RGBW linear color mixing with Macro



**Colour Temperature Correction:**

Linear color temperature correction from 2700K to 10000K

**Dimmer:**

0-100% linearly adjustable

**Strobe:**

Electronic Strobe 0 ~25F.P.S

**Head Movement:**

Pan(0°~540°) and Tilt(0°~270) with Auto Position Correction Function

**Light Angle:**

Beam Angle(1/2 Maximum) 7°~42°

Light Spot Angle(1/10 Maximum) 17°~60°

**Control:**

DMX512, 3 pins and 5 pins interfaces

RDM Control Protocol

12channels in standard mode, and 20 channels in extended mode

Master/Slave Synchronous Control Mode

Self test mode , manual test mode

DMX 512 wireless signal function with optional DMX 512 wireless transmitter

**Other Functions:**

Pan & Tilt Speed adjustable

Auto speed adjustment of Fans

Auto light output decrease while lamp temperature is too high

Display's Brightness adjustable

Lamp temperature & Project's use time display

DMX512 Channel Value Display

Menu Invert Function

**Housing:**

High temperature ABS +die-casting aluminum, IP20



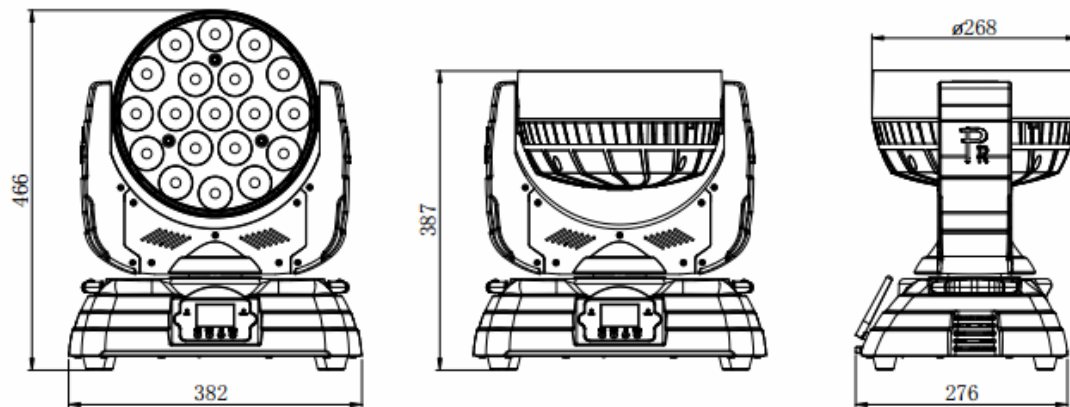
**Work Environment Temperature:**

-20°C~40°C

**Weight:**

Net weight :13Kg Gross Weight: 17. 5 Kg

**Sizes:**



**Light Output:**

