



## XR 330 Spot

### PR-2350

The XR 330 Spot has a linear zoom that goes from 3.8° to 42°. It is a compact unit with the fantastic brightness.

#### Key Features:

- OSRAM 330W lamp
- Beam angle 3.8° ~ 42° , linearly adjustable
- CYM Color mixing+ 14 color filters+ white
- 17 fixed gobos + 9 rotating gobos
- 1 x 3-facet rotating prism
- 1 frost filter
- Focus controlled by DMX, 0-100% linearly adjustable
- 0-100% linearly adjustable dimmer
- 5-100% linearly adjustable iris with Macro
- Double shutter blades, 0.3~20 F.P.S
- Short mode, 23; Standard mode, 28; Extended mode,35; Self-test mode
- Pan 540°, Tilt 270° with auto position correction, speed adjustable, with lock mechanism
- Weight: 22Kg
- IP20
- Modular construction for easy maintenance
- DMX512 wireless receiver
- DMX512 wireless transmitter (optional)

#### Standard Accessories:

G clamps, 2 pcs; XLR connectors, 1 set;  
Safety cord, 1 pc;

#### Optional Accessories: Ω clamps, 2 pcs

1582 Xingye Avenue, Nancun, Panyu, Guangzhou, 511442, China  
+86-20-3995 2379 Fax.: +86-20-3995 2330 [www.pr-lighting.com](http://www.pr-lighting.com)

## Technical Data:

**Power Supply:** 100V~240V AC, 50/60Hz

**Power Consumption:** 450W@220V

### Light Source:

OSRAM 330W Lamp  
(7,500K, 1500 hrs)

### Color System:

CYM colour mixing + Macro+1 color wheel with 14 colors plus white  
With variable speed bi-directional rainbow effect  
Step/linear colour changing is available

### Optical System:

Beam angle 3.8° ~ 42° linearly adjustable

### Effect

#### Gobos:

**1 Fixed gobo wheel:** 17 gobos+ white  
Shake and bi-directional wheel scroll at variable speeds  
**1 Rotating gobo wheel:** 9 gobos +white  
Shake and bi-directional wheel scroll at variable speeds

#### Prism:

1 x 3-facet rotating prism (bi-directional with variable speeds)

#### Frost:

1 frost filter

#### Focus:

0-100% linearly adjustable by DMX

#### IRIS:

5-100% linearly adjustable+ Macro

#### Strobe:

Double shutter blades, 0.3~25 F.P.S

1582 Xingye Avenue, Nancun, Panyu, Guangzhou, 511442, China  
+86-20-3995 2379 Fax.: +86-20-3995 2330 [www.pr-lighting.com](http://www.pr-lighting.com)

**Head Movement:**

Pan 540°, Tilt 270° with auto position correction

**Control and Programming:**

**Control:** DMX512, 3 pin and 5 pin interfaces

**Channels:** Short mode, 21; Standard mode, 25; Extended mode,31; Self-test mode

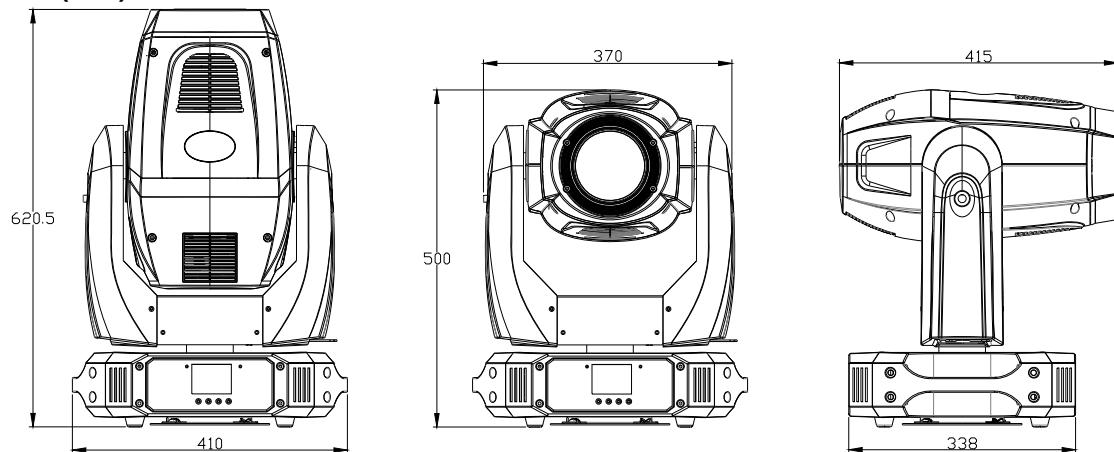
**Physical Features:**

**Housing:** Composite plastic, IP20

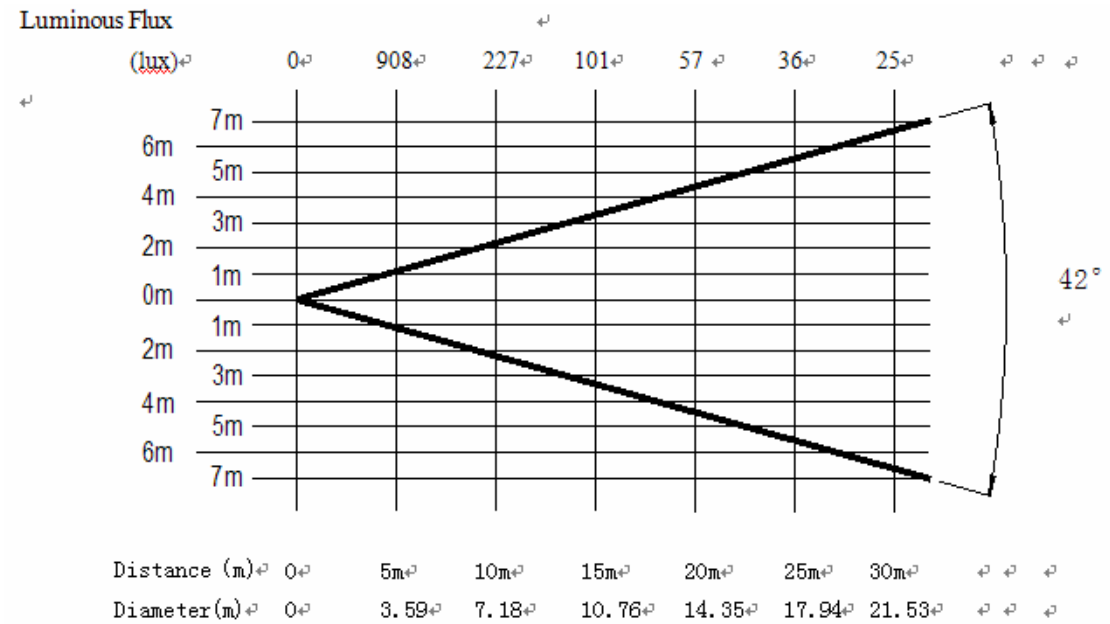
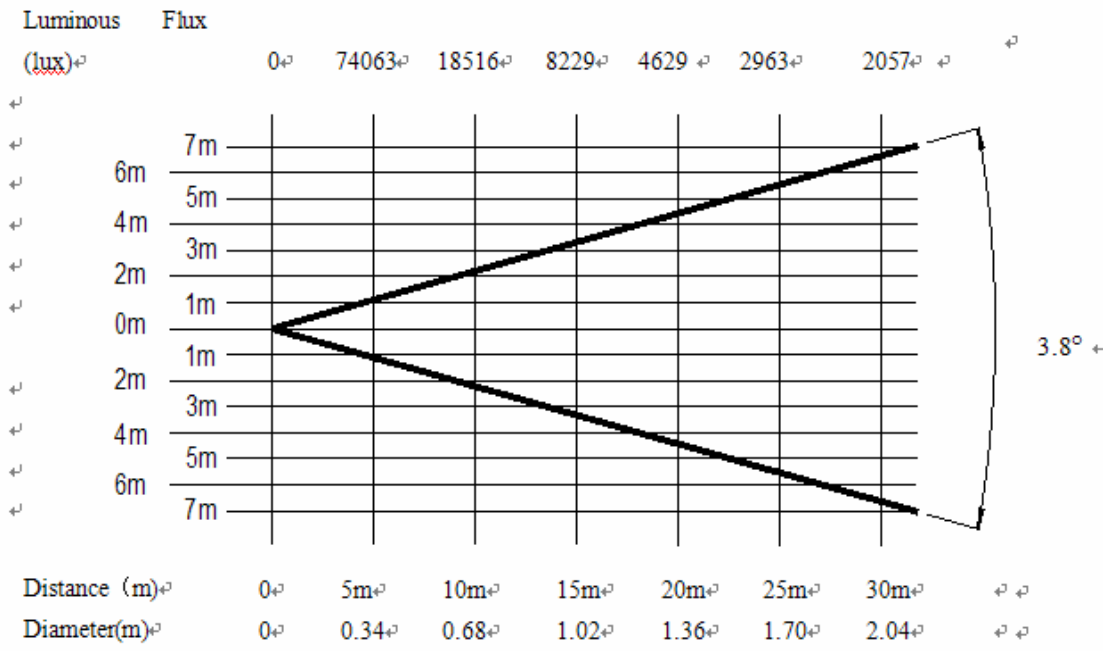
**Weight:** 22Kg

**Gross Weight (in flight case):** 54Kg

**Size(mm):**



**Light Output:**



1582 Xingye Avenue, Nancun, Panyu, Guangzhou, 511442, China  
 +86-20-3995 2379 Fax.: +86-20-3995 2330 [www.pr-lighting.com](http://www.pr-lighting.com)